

# SULZER

Massblatt XFP 100G-VX Trockeninstallation  
Dimension sheet DRY-WELL Installation  
Dimensioni Installazione a secco  
Hoja de dimensiones instalación en seco  
Plan d'encombrement Installation à sec

No: AN-M.22.641 - 02  
Drawn: 25/11/10 D.Whelan  
Issue Date: 09/05/2013  
Änderungen vorbehalten  
Technical changes reserved  
Con riserva di modifiche  
Con reserva de modificaciones  
Sous réserve de modification

## 50 Hz

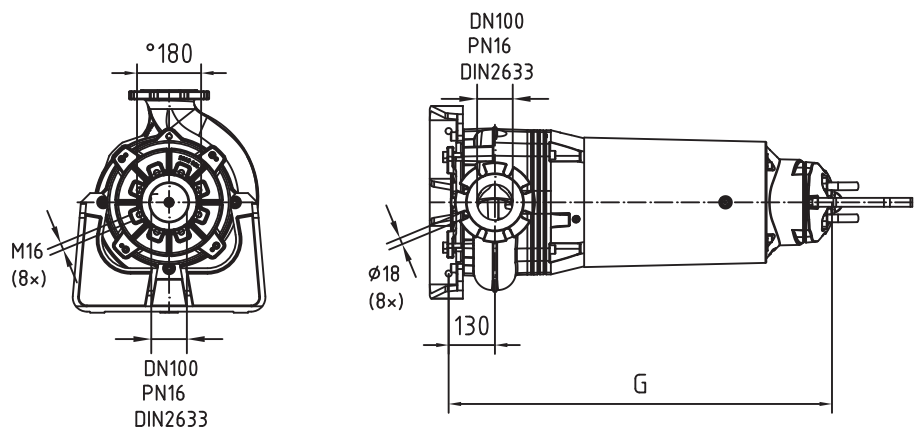
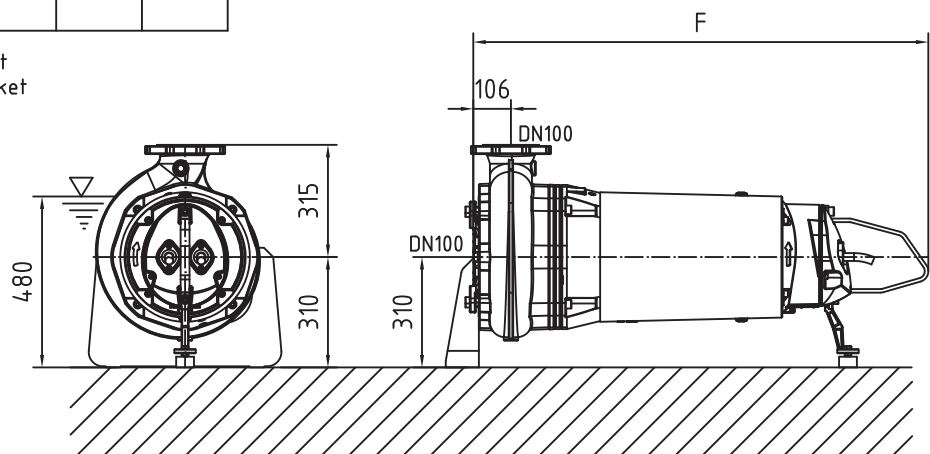
## S.I.

Typ Type Tipo	Gewicht Weight Poids N.C.J. (kg)	Gewicht Weight Poids W.C.J. (kg)	Height F (mm)	Height G (mm)
PE 110/4	349	389	1278	1076
PE 140/4	349	389	1278	1076
PE 160/4	369	409	1278	1076
PE 185/4	369	409	1278	1076

## 60 Hz

Typ Type Tipo	Gewicht Weight Poids N.C.J. (kg)	Gewicht Weight Poids W.C.J. (kg)	Height F (mm)	Height G (mm)

N.C.J. = No Cooling Jacket  
W.C.J. = With Cooling Jacket



Gewicht: Beinhaltet Pumpe ,horizontal Stützen und Kabel (50 Hz = 10 m; 60 Hz = 15 m)  
Weight: includes pump, horizontal supports and cable (50 Hz = 10 m; 60 Hz = 15 m)  
Peso: include pompa, supporti orizzontali e cavo (50 Hz = 10 m; 60 Hz = 15 m)  
Peso: Incluye bomba, soporte horizontal y cable (50 Hz = 10 m; 60 Hz = 15 m)  
Poids : incluant la pompe, les supports horizontaux et le cable (50 Hz = 10 m; 60 Hz = 15 m)

Guss-Allgemeintoleranzen nach DIN1680 - GTB16  
General tolerances for castings in acc. to DIN1680-GTB16  
Tolleranze generali delle fusioni secondo DIN1680-GTB16  
Tolerancias generales para la fundición seg. de DIN1680-GTB16  
Tolérance générale de la fonderie selon DIN1680-GTB16

**SULZER**

Massblatt XFP 100G-VX Trockeninstallation  
 Dimension sheet DRY-WELL Installation  
 Dimensioni Installazione a secco  
 Hoja de dimensiones instalación en seco  
 Plan d'encombrement Installation à sec

No: AN-M.22.641 - 02  
 Drawn: 25/11/10 D.Whelan  
 Issue Date: 09/05/2013  
 Änderungen vorbehalten  
 Technical changes reserved  
 Con riserva di modifiche  
 Con reserva de modificaciones  
 Sous réserve de modification

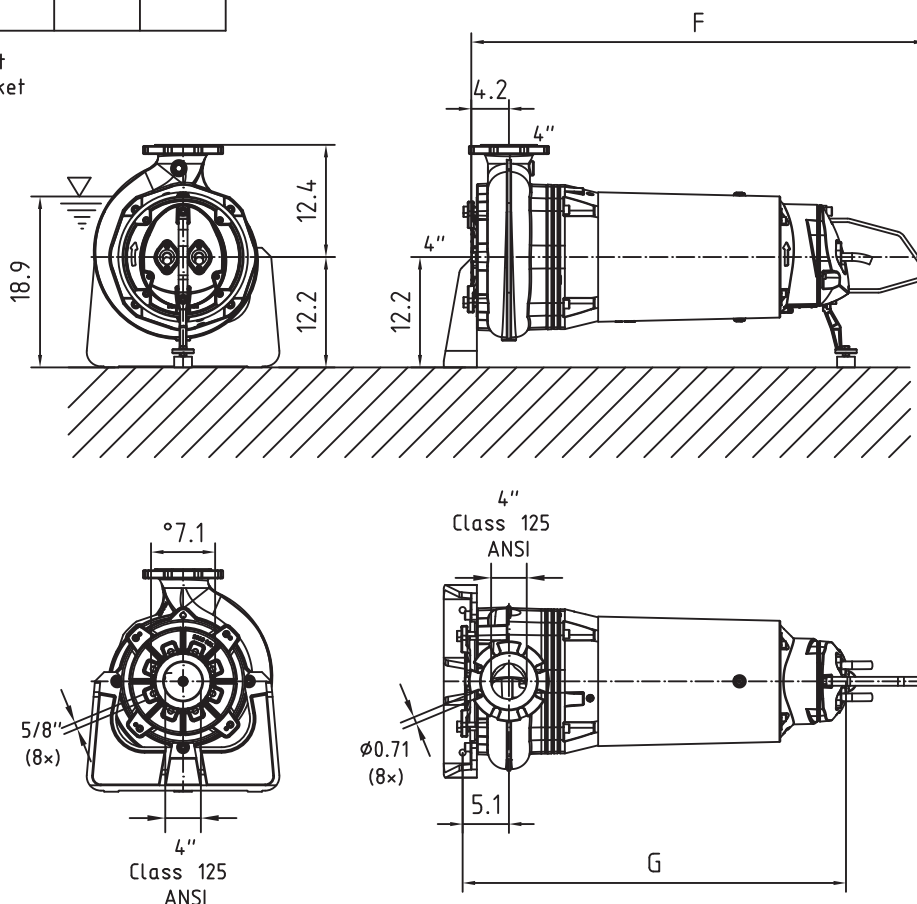
**50 Hz****U.S.**

Typ Type Tipo	Gewicht Weight Poids N.C.J. (lbs)	Gewicht Weight Poids W.C.J. (lbs)	Height F (")	Height G (")
PE 110/4	770	858	50.3	42.4
PE 140/4	770	858	50.3	42.4
PE 160/4	814	902	50.3	42.4
PE 185/4	814	902	50.3	42.4

**60 Hz**

Typ Type Tipo	Gewicht Weight Poids N.C.J. (lbs)	Gewicht Weight Poids W.C.J. (lbs)	Height F (")	Height G (")

N.C.J. = No Cooling Jacket  
 W.C.J. = With Cooling Jacket



Gewicht: Beinhaltet Pumpe ,horizontal Stützen und Kabel (50 Hz = 10 m; 60 Hz = 15 m)  
 Weight: includes pump, horizontal supports and cable (50 Hz = 10 m; 60 Hz = 15 m)  
 Peso: include pompa, supporti orizzontali e cavo (50 Hz = 10 m; 60 Hz = 15 m)  
 Peso: Incluye bomba, soporte horizontal y cable (50 Hz = 10 m; 60 Hz = 15 m)  
 Poids : incluant la pompe, les supports horizontaux et le cable (50 Hz = 10 m; 60 Hz = 15 m)

Guss-Allgemeintoleranzen nach DIN1680 - GTB16  
 General tolerances for castings in acc. to DIN1680-GTB16  
 Tolleranze generali delle fusioni secondo DIN1680-GTB16  
 Tolerancias generales para la fundición seg. de DIN1680-GTB16  
 Tolérance générale de la fonderie selon DIN1680-GTB16