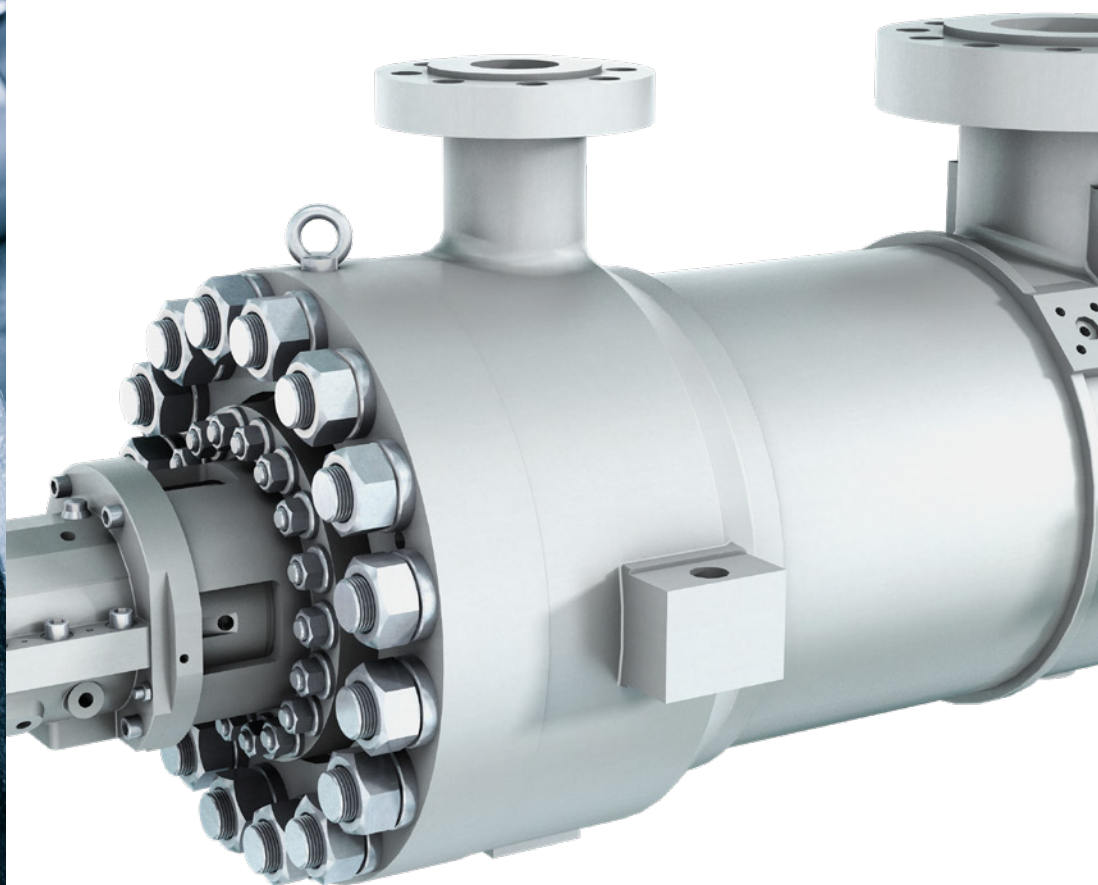


# SULZER

Flow Equipment

## API 610 type BB5 GSG diffuser style barrel pump



# Main industries and applications

The GSG is a BB5 type pump built to the latest edition of API 610. Thousands of Sulzer GSG pumps are installed around the world in:

- Refineries
- Petrochemical plants
- Gas processing plants
- Hydraulic Power Recovery Turbine (HPRT)
- Water injection services
- Crude oil, refined product and LPG pipeline services
- Industrial power plants



Oil and gas



Hydrocarbon processing



Power generation



Pulp, paper and board



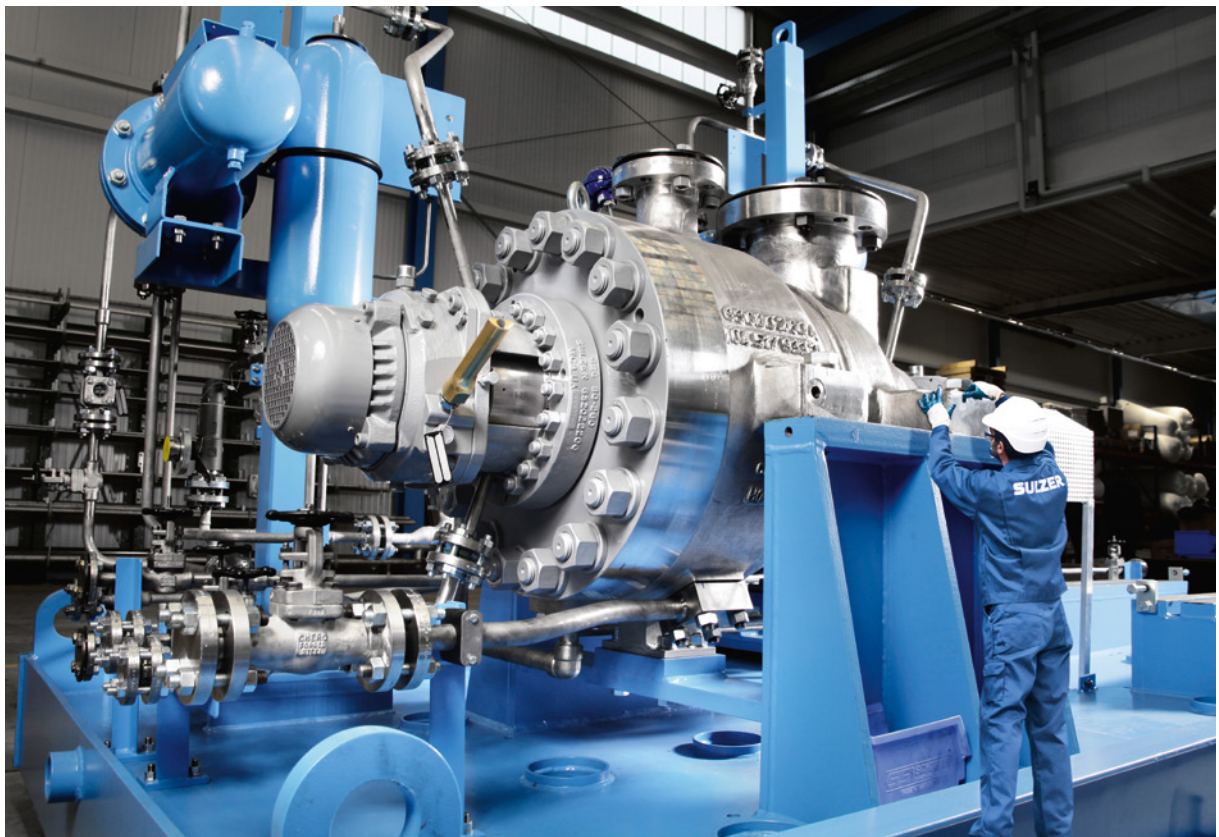
General industry



Chemical process industry



Water and wastewater



# Features and benefits

## GSG inline

---

### High head per stage balanced radial loads

- Diffuser design allows replacement/upgrade of individual stage pieces vs. entire inner volute

---

### Cartridge design on all but smallest sizes

- Allows bundle to be removed without major disassembly which saves time

---

### Multiple bearing types

- Ball radial and 7300 series ball thrust bearings are standard
- Pressure lubricated sleeve/pivot shoe bearings are optional
- Bearing isolators are standard

---

### Compact inline design

- Available in low, medium and high-pressure configurations
- Short bearing span and minimized foundation footprint

---

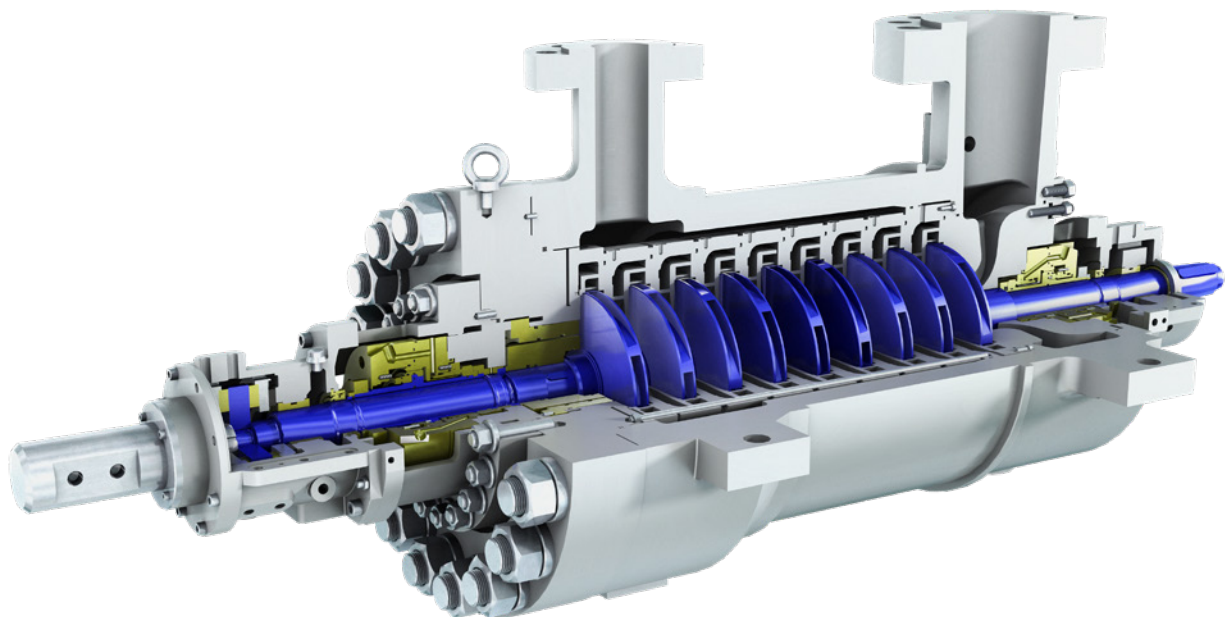
### Dynamically balanced rotor

- For smooth and reliable operation

---

### Suction region of pump rated for discharge pressure

- API 610 12th edition ready





# Features and benefits

## GSG low flow

---

### Low flow, high head design

- 10-35 m<sup>3</sup>/h, up to 1'800 m head
- Barske type impeller and precision machined diffuser ensure correct performance

---

### Suction regions of pump rated for discharge pressure

- API 610 12th edition ready

---

### API 610 compliant BB5 pump

- Full API 610 11th & 12th edition design

---

### Individually retained impellers

- Impellers axially retained in both directions as standard

---

### Reduced maintenance compared to high speed OH6 design

- No gearbox required, pump operates at 2-pole, 50 Hz (3'000 rpm) or 60 Hz (3'600 rpm) motor speed

---

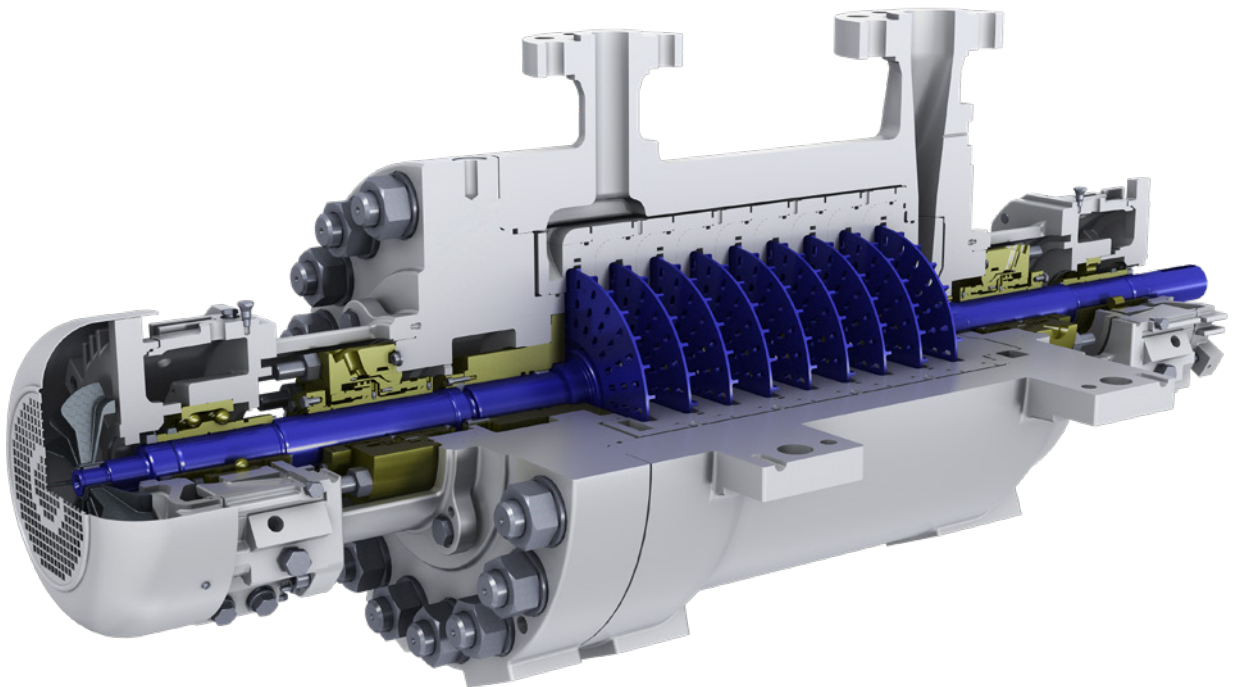
### Shared GSG pump components to minimize spare parts holding

- Reduces manufacturing and spare part inventory

---

### Suction performance

- Standard is <11'000 Nss suction impeller avoiding high values associated with OH6 design
- Optional inducer option to meet clients site limitations



# Features and benefits

## GSG back to back

---

### Back-to-back rotor design for high head applications

- Provides enhanced rotor support and balanced axial loads even in worn condition

### Barrel closure

- Patented Twistlock cover for fast cartridge changeout on offshore water injection services
- Bolted cover design available for hazardous services

### Swirl brake

- Sulzer proprietary swirl brake technology used ensures stable rotodynamic even on light gravity liquids

---

### High pressure casing

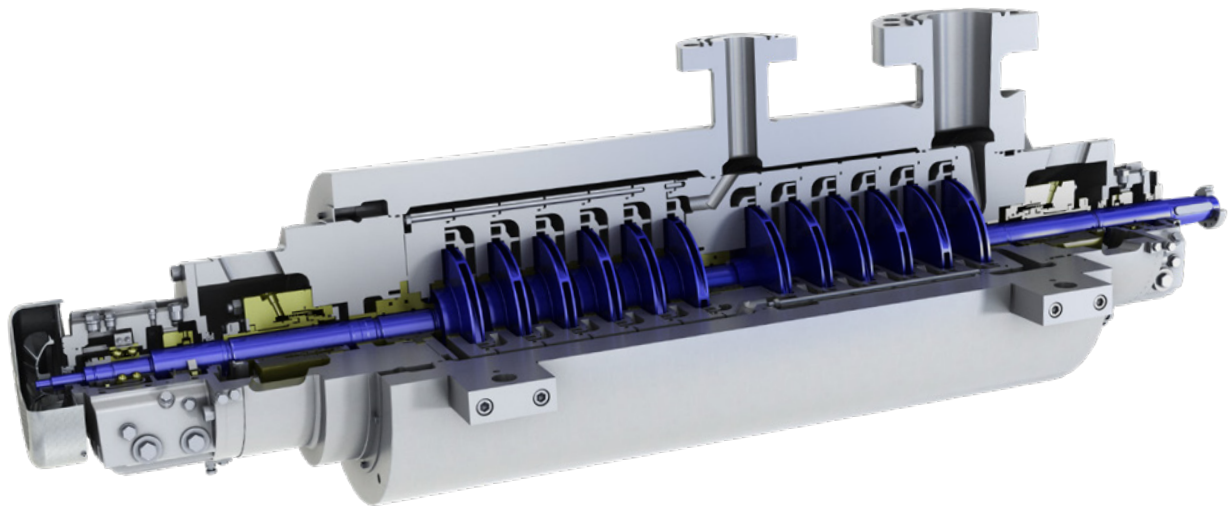
- Cast or forged barrel case, optional side-side, side-top nozzles on forged barrel

### Multiple bearing types

- Various bearing configurations including; rolling element, sleeve/ball and sleeve/pivot shoe

### Full cartridge design

- Allows bundle to be removed without major disassembly which saves time



# Specifications

## Material options

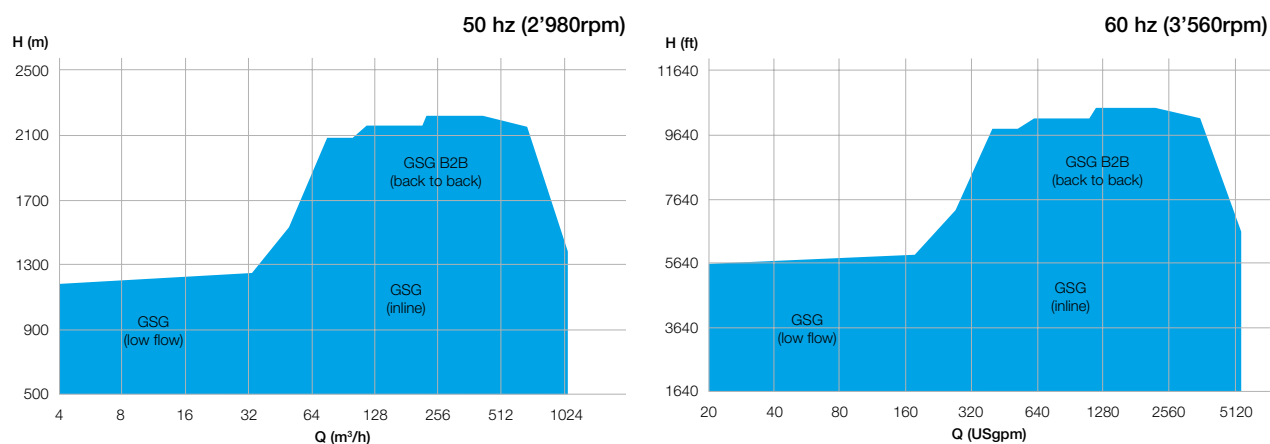
- API 610 S-6, S-8, C-6, A-8, D-1, D-2
- Low temperature materials and sour service materials for compliance with NACE
- Non-metallic wear parts (PEEK and Graphalloy™) allowing operation with, low product gravity, low viscosity or low lubricity
- Other materials and special alloys available on request

## Operating data

	Metric units	US units
Pump size	40 to 200 mm	1.5 to 8 in.
Capacities	up to 900 m <sup>3</sup> /h	up to 4'600 USgpm
Heads	up to 2'600 m	up to 10'000 ft.
Pressures	up to 300 bar	up to 4'500 psi
Temperatures	-50 to 425°C	-45 to 800°F

Higher performance available in Sulzer engineered API 610 type BB5 products, CP and HPcP (up to 1'000 bar)

## Performance range





# We keep your processes flowing

---

Wherever fluids are treated, pumped, or mixed, we deliver highly innovative and reliable solutions for the most demanding applications.

## Our offer

---

The Flow Equipment division specializes in pumping solutions specifically engineered for the processes of our customers. We provide pumps, agitators, compressors, grinders, screens and filters developed through intensive research and development in fluid dynamics and advanced materials. We are a market leader in pumping solutions for water, oil and gas, power, chemicals and most industrial segments.



### Pumps

---

As one of the world's leading pump manufacturers, Sulzer provides a wide range of products for engineered, configured, and standard pumping solutions as well as essential auxiliary equipment. We are renowned for our state-of-the-art products, performance reliability and efficient solutions.



### Agitators and dynamic mixers

---

Sulzer mixing and agitation technology offers a wide range of products for industrial applications. Side-mounted horizontal and top-mounted vertical agitators, dynamic chemical mixers, and tower and tank flow management products guarantee effective mixing and agitating processes.



### Compressors and aeration

---

Sulzer's state of the art offering for municipal and industrial wastewater treatment includes turbocompressors, aeration systems and mechanical aerators. Our application and process know-how combined with our unique product portfolio give us the means to provide customers with reliable and efficient solutions.

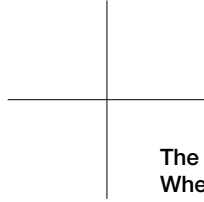


### Submersible mixers

---

Sulzer's energy efficient submersible mixers are suitable for a wide range of applications in industry and municipal treatment plants. They provide the right solution to match mixing tasks for agitating, blending, mixing, dissolving and suspension of solids in industry and municipal treatment plants.





**The Sulzer Flow Equipment division keeps your processes flowing. Wherever fluids are treated, pumped, or mixed, we deliver highly innovative and reliable solutions for the most demanding applications.**

---

The Flow Equipment division specializes in pumping solutions specifically engineered for the processes of our customers. We provide pumps, agitators, compressors, grinders, screens and filters developed through intensive research and development in fluid dynamics and advanced materials. We are a market leader in pumping solutions for water, oil and gas, power, chemicals and most industrial segments.

---

E00612 en 10.2022, Copyright © Sulzer Ltd 2022

This brochure is a general presentation. It does not provide any warranty or guarantee of any kind. Please, contact us for a description of the warranties and guarantees offered with our products. Directions for use and safety will be given separately. All information herein is subject to change without notice.

