

## Lifting Station Type ABS Synconta 700L

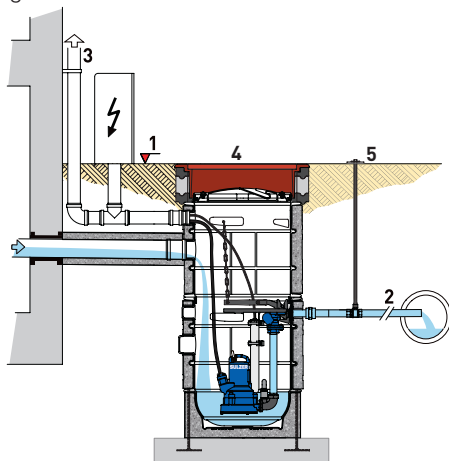
Synthetic prefabricated sump, designed as a single pumping station for the effective dewatering of buildings and areas below the sewer level. Designed as a complete wastewater sump for external (below-ground) installation, and for fitting with selected pumps from the Piranha range. Synconta 700L is suitable also for the pumping of sewage containing faecal matter.

### Features

- Robust construction with lockable hollow lid which can be foam-filled for added insulation.
- For external installation a special cast iron sump cover is required for protection against overhead traffic (in accordance with EN 124; Group 1 permissible traffic tonnage 5 kN/m<sup>2</sup>). Must be sourced locally.
- Stainless steel discharge pipe with 1¼" external thread.
- Single DN 100 inflow port for DIN push-on connection. One port DN 70 for venting and use as a cable duct (supplied as standard with plug/cable inlet seal).
- Available with optional polystyrene jacket to insulate against noise and excessive external temperatures.
- Simple pump installation and maintenance. The pump seals automatically onto the discharge line when lowered into the high-level coupling.
- Automatic pump and level control by pressure sensor system.
- Maximum allowable temperature of medium 40 °C, short term to 60 °C (max. 5 minutes).

### Installation

Attention to the backwash level is of vital importance for effective dewatering. All outflow points located below the backwash level must be protected against back flow according to EN 12056 standard.



1. Backwash level.
2. Discharge pipe. Must rise above backwash level before entering sewer line.
3. External ventilation pipe.
4. Sump cover.
5. Gate valve (min.depth 450 mm; max. 2900 mm).



### Tank

Synthetic, corrosion-resistant tank supplied as standard with plastic lid, discharge pipework and coupling with non-return ball valve. Pump, pressure sensor, control panel, sump cover and insulation jacket are not included.

**Capacity:** 350 liters.

**Weight:** 46 kg (includes installation pipework but not weight of pump).

### Motor

Water pressure sealed, squirrel cage 2-pole induction motor, with double shaft seals and oil chamber.

**Insulation:** Class F (155 °C)

**Protection type:** IP68

### Pump type

Submersible grinder pump type ABS Piranha with shredding system hydraulics which can cut and pump wastewater containing solids through small diameter discharge lines from 1¼".

### Materials

<b>Synconta 700</b>	<b>Tank and lid</b>	Polyethylene
	<b>Insulation jacket</b>	Extruded polystyrene
	<b>Discharge pipe</b>	Stainless steel 1.4301 (AISI 304)
	<b>Coupling and valve</b>	Cast iron EN-GJL-250
<b>Piranha pump</b>	<b>Motor housing</b>	Cast iron EN-GJL-250
	<b>Rotor shaft</b>	Stainless steel 1.4021 (AISI 420)
	<b>Volute</b>	Cast iron EN-GJL-250
	<b>Impeller</b>	Cast iron EN-GJL-250
	<b>Fasteners</b>	Stainless steel 1.4401

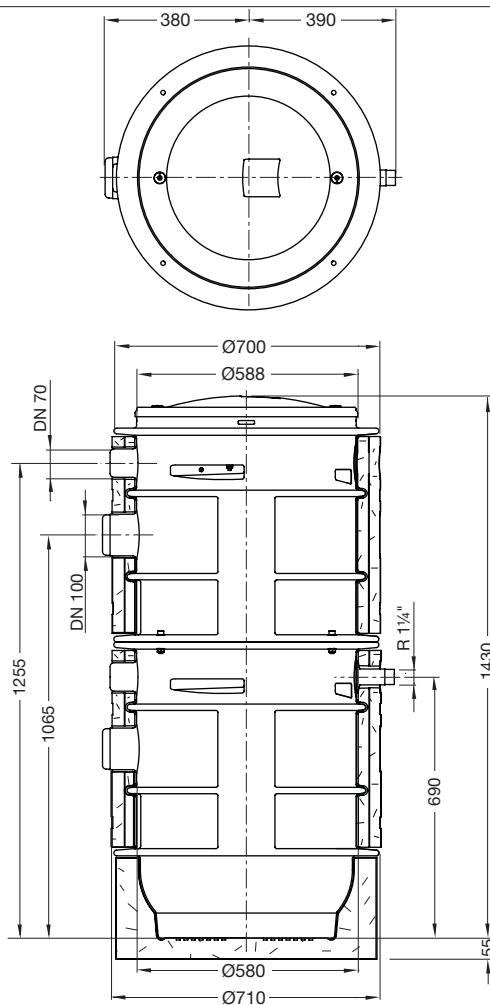
## Technical data

Piranha	Discharge		Motor power *		Rated current (A)	Rated voltage ** (V)	Speed (r/min)	Cable size *** (H07RN-F)	Pump weight (kg)
	Pump (flange)	Pipe (thread)	P <sub>1</sub> (kW)	P <sub>2</sub> (kW)					
S12/2D	DN 32	R 1¼"	1.69	1.20	5.72	230 3~	2900	4G1.0	32
S12/2D	DN 32	R 1¼"	1.69	1.20	3.29	400 3~	2900	4G1.5	32
S17/2D	DN 32	R 1¼"	2.31	1.70	6.90	230 3~	2900	4G1.5	32
S17/2D	DN 32	R 1¼"	2.31	1.70	3.97	400 3~	2900	4G1.5	32

\* P<sub>1</sub> = Power taken from mains. P<sub>2</sub> = Power at motor shaft. \*\* 230 V can operate as single phase using the appropriate control panel (see accessory table).

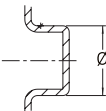
\*\*\* Special rubber compound, free-end cable.

## Dimensions (mm)

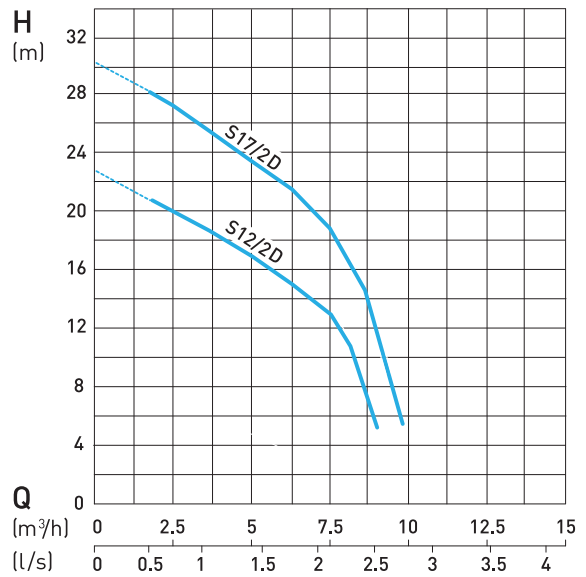


## Inlet diameters (mm)

Inlet diameter	Outer diameter	Inner diameter
DN 70	Ø75 +0.2	-1.0
DN 100	Ø110 +0.3	-1.0



## Performance curves



H = Total Head. Q = Discharge Volume. Curves to ISO 9906.

## Accessories

Description	Part no.
Insulation jacket	62665343
Pressure sensor (MD 126)	27007024
Pressure pipe kit	62665180
Vacuum breaker	62665297
Control panel: CP114: 230 V single phase, 7.5 A	62160870
CP112: 230 V three phase	15207147
CP112: 400 V	15207145

[sulzer.com](http://sulzer.com)

Synconta 700L 50 Hz en 02.2024, Copyright © Sulzer Ltd 2024

This data sheet is a general product presentation. It does not provide a warranty or guarantee of any kind. Please contact us for a description of the warranties and guarantees offered with our products. Directions for use and safety will be given separately. All information herein is subject to change without notice.