

SULZER

Massblatt PIRANHA PE30/2 Nassinstallation

Dimension sheet WET-WELL Installation

Dimensioni Installazione sommersa

Hoja de dimensiones instalacion sumergida

Plan d'encombrement Installation noyee

No: AN-M.04.040 -03

Drawn: 18/04/11 D.Whelan

Issue Date: 09/06/2013

Znderungen vorbehalten
 Technical changes reserved
 Con riserva di modifiche
 Con reserva de modificaciones
 Sous r serve de modification

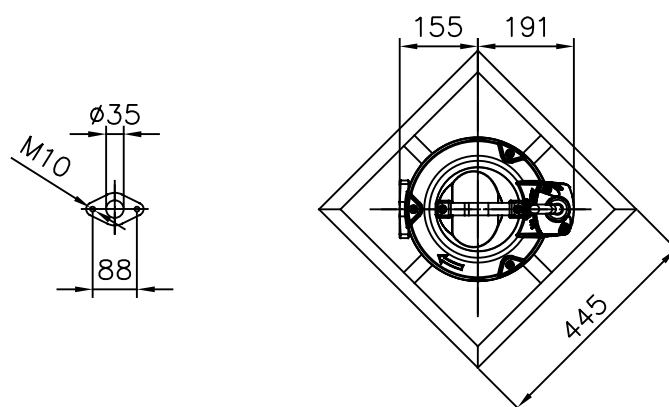
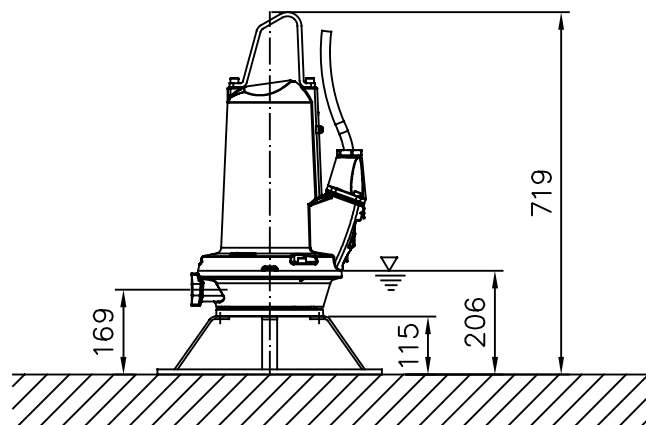
50 Hz

S.I.

| Typ Type Tipo | Gewicht Weight Poids Peso (kg) |
|---------------------|--|
| PE 30/2 | 94 |

60 Hz

| Typ Type Tipo | Gewicht Weight Poids Peso (kg) |
|---------------------|--|
| PE 25/2W | 94 |
| PE 28/2 | 94 |
| PE 35/2 | 94 |
| PE 35/2W | 94 |
| PE 45/2 | 94 |
| PE 45/2W | 94 |



Gewicht: Beinhaltet Pumpe, Bodenst tzgestell und Kabel (50Hz = 10m; 60Hz = 15m)

Weight: includes pump, skirtbase and cable (50Hz = 10m; 60Hz = 15m)

Peso: Incluye bomba, base soporte y cable (50Hz = 10m; 60Hz = 15m)

Peso: include: pompa, base d'appoggio e cavo (50Hz = 10m; 60Hz = 15m)

Poids: incluant la pompe, le trepied et le cable (50Hz = 10m; 60Hz = 15m)

Guss-Allgemeintoleranzen nach DIN1680 - GTB16

General tolerances for castings in acc. to DIN1680-GTB16

Tolleranze generali delle fusioni secondo DIN1680-GTB16

Tolerancias generales para la fundicion seg. de DIN1680-GTB16

Tol rance g n rale de la fonderie selon DIN1680-GTB16

SULZER

Massblatt PIRANHA PE30/2 Nassinstallation

No: AN-M.04.040 -03

Dimension sheet WET-WELL Installation

Drawn: 18/04/11 D.Whelan

Dimensioni Installazione sommersa

Issue Date: 09/06/2013

Hoja de dimensiones instalacion sumergida

Znderungen vorbehalten

Technical changes reserved

Con riserva di modifiche

Con reserva de modificaciones

Plan d'encombrement Installation noyee

Sous r serve de modification

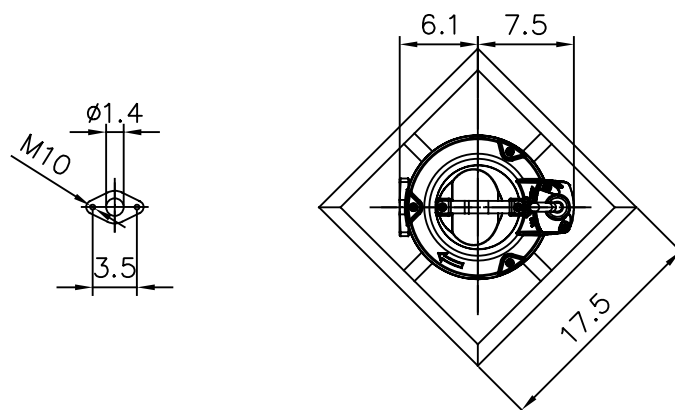
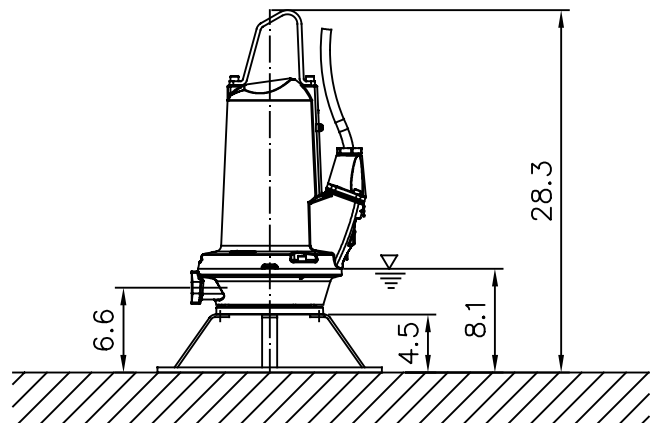
50 Hz

U.S.

| Typ Type Tipo | Gewicht Weight Poids Peso (lbs) |
|---------------------|---|
| PE 30/2 | 207 |

60 Hz

| Typ Type Tipo | Gewicht Weight Poids Peso (lbs) |
|---------------------|---|
| PE 25/2W | 207 |
| PE 28/2 | 207 |
| PE 35/2 | 207 |
| PE 35/2W | 207 |
| PE 45/2 | 207 |
| PE 45/2W | 207 |



Gewicht: Beinhaltet Pumpe, Bodenst tzgestell und Kabel (50Hz = 10m; 60Hz = 15m)

Weight: includes pump, skirtbase and cable (50Hz = 10m; 60Hz = 15m)

Peso: Incluye bomba, base soporte y cable (50Hz = 10m; 60Hz = 15m)

Peso: include: pompa, base d'appoggio e cavo (50Hz = 10m; 60Hz = 15m)

Poids: incluant la pompe, le trepied et le cable (50Hz = 10m; 60Hz = 15m)

Guss-Allgemeintoleranzen nach DIN1680 - GTB16

General tolerances for castings in acc. to DIN1680-GTB16

Tolleranze generali delle fusioni secondo DIN1680-GTB16

Tolerancias generales para la fundicion seg. de DIN1680-GTB16

Tol rance g n rale de la fonderie selon DIN1680-GTB16