

SULZER

Flow Equipment

SJT-GEO

for geothermal production
hot water



Features and benefits

Sulzer SJT-GEO are designed for geothermal production hot water in shallow wells.

1 Maximum achievable output flow for 12" nominal bowl diameter (externally machined to 11 5/8")

- Increased well production flow up to 680 m³/h (3'000 USgpm)
- Fitting into 13 3/8" wells

2 Designed for variable speed drive motors

- Speeds up to 2'200 rpm
- Increased performance
- Smooth start-up and stop

3 Bowls and impellers with extended endplay up to 5 1/2"

- Better adaptable to the different stretch rates of the outer and inner columns and pump shaft
- Pump lengths up to 650 m (2'150 ft)

4 Bowls provided with replaceable wear rings

- Impellers with integral wear rings
- Extended clearances to ease assembly and disassembly
- Long skirt for the axial endplay adjustment

5 Increased design temperature

- Suitable for medium/high enthalpy hydrothermal resources

6 Impeller fixation by tapered split lock collets

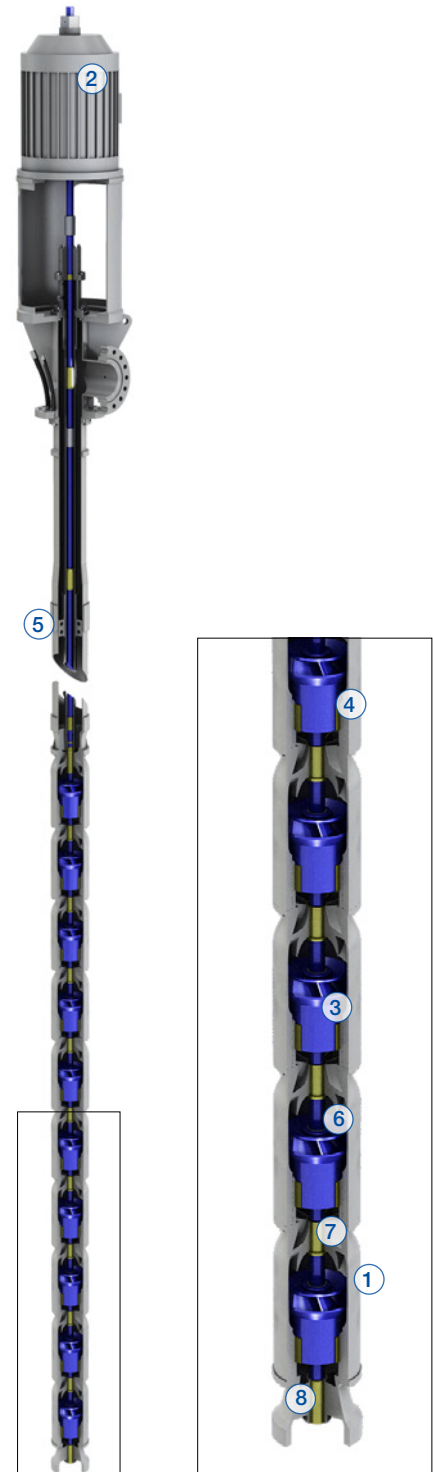
- Lock collet in top bowl limits the pump shaft upwards travel

7 Pump shaft diameter 2 3/16" in 17-4 PH H1150

- Pump shaft section lengths limited to 6.1 m (20 ft)
- Suitable for power transmission up to 1'100 kW (1'475 hp)
- Number of stages limited by torque transmission
- Intermediate threaded couplings to ease dismantling

8 Bowl and suction case bearings with straight grooves

- Product lubricated



Specifications

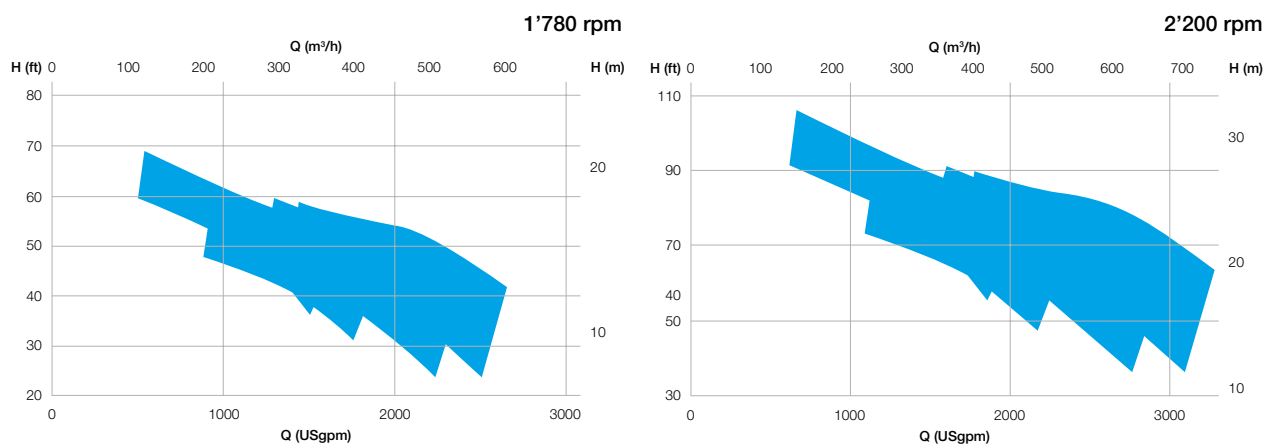
Materials

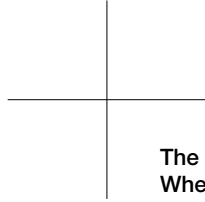
Pump part	Material
Bowl	Ductile iron, chrome steel class A and B
Impeller	Chrome steel class A and B
Shaft	17-4 PH

Operating data

	50 Hz	60 Hz
Bowl sizes	up to 295 mm	up to 11 5/8 in.
Capacities	up to 680 m ³ /h	up to 3'000 USgpm
Heads	up to 700 m	up to 2'300 ft.
Pressures	up to 100 bar	up to 1'450 psi
Temperatures	up to 220°C	up to 428°F

Performance range





The Sulzer Flow Equipment division keeps your processes flowing. Wherever fluids are treated, pumped, or mixed, we deliver highly innovative and reliable solutions for the most demanding applications.

The Flow Equipment division specializes in pumping solutions specifically engineered for the processes of our customers. We provide pumps, agitators, compressors, grinders, screens and filters developed through intensive research and development in fluid dynamics and advanced materials. We are a market leader in pumping solutions for water, oil and gas, power, chemicals and most industrial segments.

E10344 en 8.2022, Copyright © Sulzer Ltd 2022

This brochure is a general presentation. It does not provide any warranty or guarantee of any kind. Please, contact us for a description of the warranties and guarantees offered with our products. Directions for use and safety will be given separately. All information herein is subject to change without notice.

