

SULZER

Massblatt XFP 81C-CB Trockeninstallation

Dimension sheet DRY-WELL Installation

Dimensioni Installazione a secco

Hoja de dimensiones instalacion en seco

Plan d'encombrement Installation a sec

No: AN-M.22.657 -02

Drawn: 14/12/10 / D.WheLAN

Issue Date: 09/05/2013

Änderungen vorbehalten

Technical changes reserved

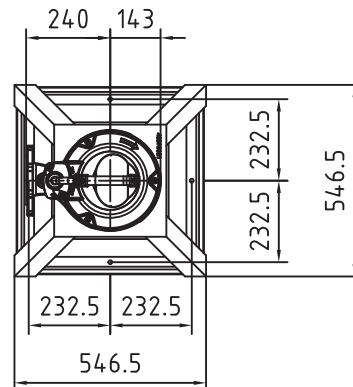
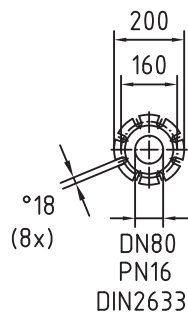
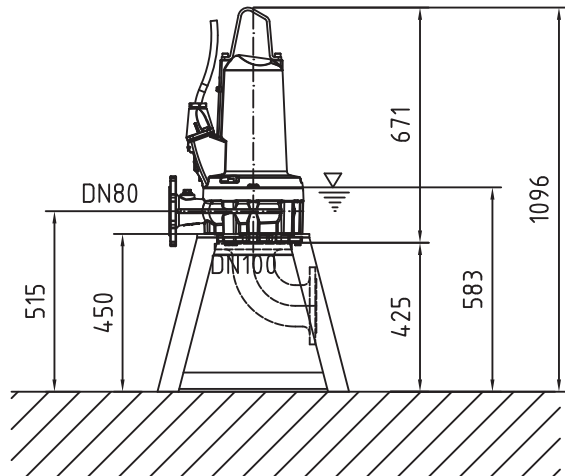
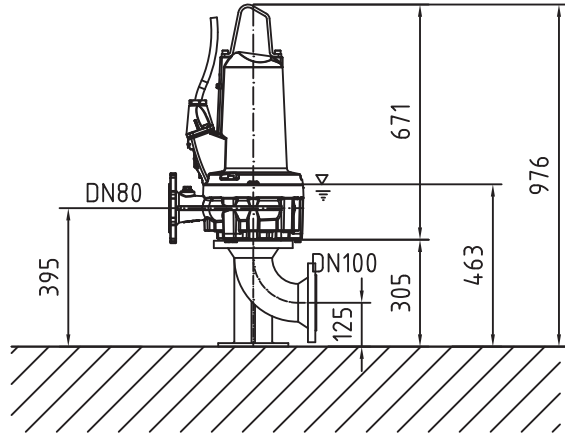
Con riserva di modifiche

Con reserva de modificaciones

Sous réserve de modification

50 Hz**S.I.**

Typ Type Tipo	Gewicht Weight Poids Peso (kg)
PE 40/2	120



Gewicht: Beinhaltet Pumpe und Kabel (50 Hz = 10 m; 60 Hz = 15 m)

Weight: includes pump and cable (50 Hz = 10 m; 60 Hz = 15 m)

Peso: include bomba e cavo (50 Hz = 10 m; 60 Hz = 15 m)

Peso: Incluye bomba y cable (50 Hz = 10 m; 60 Hz = 15 m)

Poids : incluant la pompe et le câble (50 Hz = 10 m; 60 Hz = 15 m)

Guss-Allgemeintoleranzen nach DIN1680 - GTB16

General tolerances for castings in acc. to DIN1680-GTB16

Tolleranze generali delle fusioni secondo DIN1680-GTB16

Tolerancias generales para la fundicion seg. de DIN1680-GTB16

Tolérance générale de la fonderie selon DIN1680-GTB16

SULZER

Massblatt XFP 81C-CB Trockeninstallation

No: AN-M.22.657 -02

Dimension sheet DRY-WELL Installation

Drawn: 14/12/10 / D.WheLAN

Dimensioni Installazione a secco

Issue Date: 09/05/2013

Hoja de dimensiones instalacion en seco

Änderungen vorbehalten

Plan d'encombrement Installation a sec

Technical changes reserved

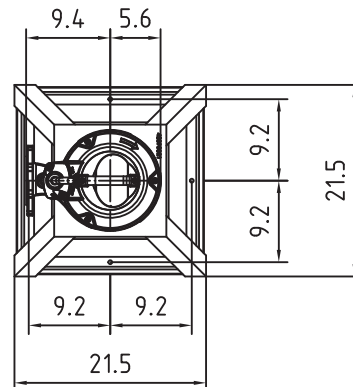
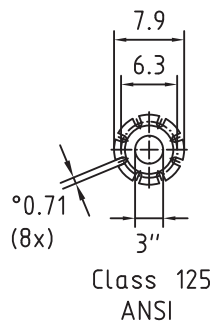
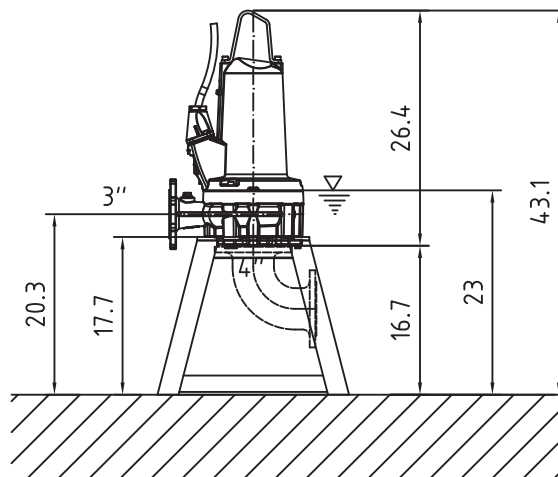
Con riserva di modifiche

Con reserva de modificaciones

Sous réserve de modification

50 Hz**U.S.**

Typ Type Tipo	Gewicht Weight Poids Peso (lbs)
PE 40/2	264



Gewicht: Beinhaltet Pumpe und Kabel (50 Hz = 10 m; 60 Hz = 15 m)

Weight: includes pump and cable (50 Hz = 10 m; 60 Hz = 15 m)

Peso: include pompa e cavo (50 Hz = 10 m; 60 Hz = 15 m)

Peso: Incluye bomba y cable (50 Hz = 10 m; 60 Hz = 15 m)

Poids : incluant la pompe et le câble (50 Hz = 10 m; 60 Hz = 15 m)

Guss-Allgemeintoleranzen nach DIN1680 - GTB16

General tolerances for castings in acc. to DIN1680-GTB16

Tolleranze generali delle fusioni secondo DIN1680-GTB16

Tolerancias generales para la fundicion seg. de DIN1680-GTB16

Tolérance générale de la fonderie selon DIN1680-GTB16