

Submersible drainage pump J 15

SULZER

Specification

Electric submersible pump.
 Maximum submergence: 20 m (65 ft). Protection class IP 68.
 Max temperature of pumped medium at max power input and continuous duty 40 °C (104 °F).
 Max medium density 1100 kg/m³ (0.0397 lbs/inch³).
 pH of the pumped medium 5-8.
 Strainer hole: 6.5 x 22 mm (1/4" x 7/8"). Max number of starts 30/hr.

J 15 W/WKS* Medium head, single-phase

J 15 D/DKS* Medium head, 3-phase

* option: built in float switch excl. 575V

Electric motor

Single-phase induction motor with built-in capacitor, 60 Hz.
 Service factor 1.1. Class F insulation.
 Motor rating P₂: 1.5 kW (2.0 Hp). Speed: 3420 rpm
 η: 60.4 (50 %), 68.7 (75 %), 70.2 (100 % load)

Voltage, V	230
Nominal current, A	10.3

3-phase squirrel-cage induction motor, 60 Hz.
 Service factor 1.1. Class F insulation.
 Motor rating P₂: 1.7 kW (2.3 Hp). Speed: 3320 rpm
 D.O.L. start with built-in contactor.
 η: 83.8 (50 %), 81.0 (75 %), 76.1 (100 % load)

Voltage, V	230	380	460	575
Nominal current, A	6.2	3.8	3.1	2.5

Power cable

20 m/65 ft H07RN8-F:
 3x1.5 sq.mm (single-phase)
 4x1.5 sq.mm (3-phase)

Motor protection

Built-in thermal switches in the stator windings (140°C/284°F, ±5).

Shaft seal

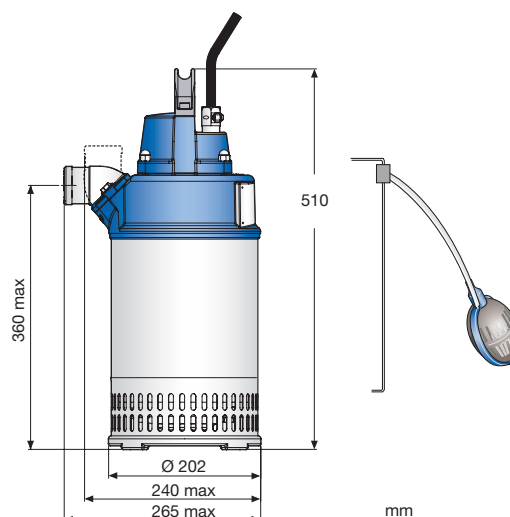
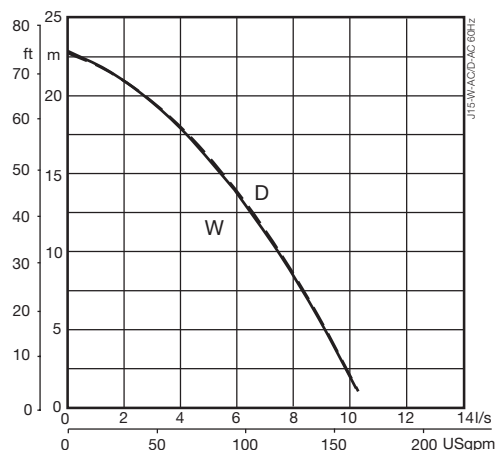
Double mechanical seal in oil bath.
 Primary seal: Silicon carbide on silicon carbide.
 Secondary seal: Silicon carbide on silicon carbide.

Bearings

Upper bearing: Single-row deep groove ball bearing.
 Lower bearing: Single-row deep groove ball bearing.

Discharge connections

1 1/2", 2" (standard), 2 1/2", 3" hose connections.
 2", 2 1/2", 3" B.S.P. threaded connections.
 2", 3" NPT thread.



Weight

D: 19 kg (42 lb)
 W: 21 kg (46 lb)
 (without cable)

Options and accessories

Zinc anodes. Surface protection coating.
 Bottom suction adapter. Series connection.
 Starter and control units. Floatation ring.
 Carry case. Repair kit.
 Discharge connection accessories and hose.

Materials

Description	Material	EN	ASTM
Castings	Aluminium	EN 1706:AC-43100	ASTM A10mg
Casing / Fasteners	Stainless steel	10088:X5CrNi18-10 (1.4301)	AISI 304
Shaft	Stainless steel	10088:X20Cr13 (1.4021)	AISI 420
Impeller	White cast iron	EN-GJN-HV600(XCr23)	ASTM A 532: Alloy III A
Wear parts / O-rings	Nitrile rubber		