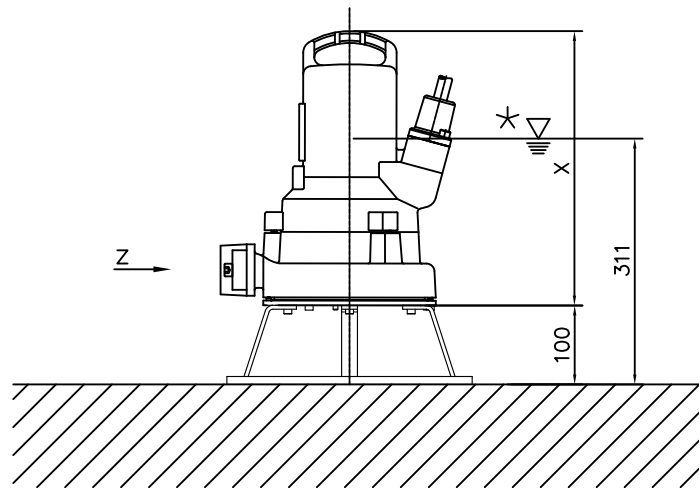
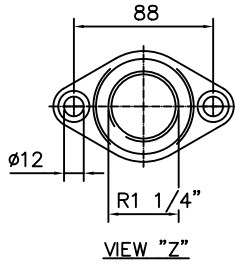


SULZERMassblatt S12/S13/S17/S21/S26 Transportable
Dimension sheet
Plan d'encombrement

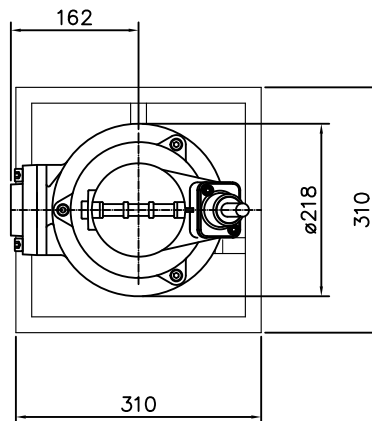
No: AN-M.12.46-05

Drawn: 11.08.99 / C.Quirke

Issue Date: 30/03/2015

Änderungen vorbehalten
Technical changes reserved
Con riserva di modifiche
Con reserva de modificaciones
Sous réserve de modification**S.I.**

★ LOWEST SWITCH OFF POINT FOR AUTOMATIC OPERATION



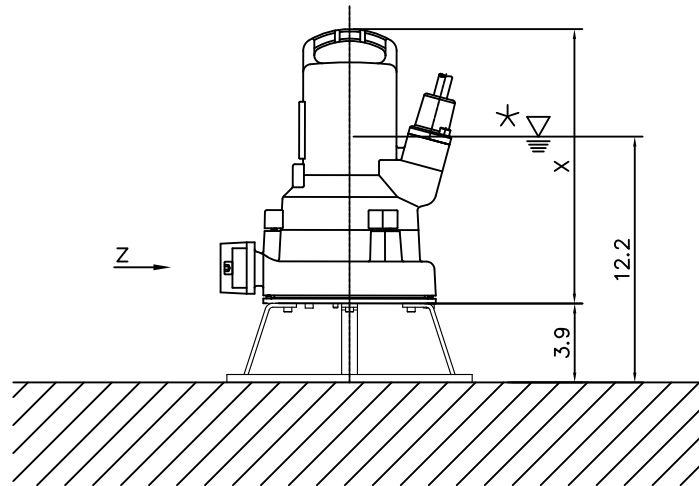
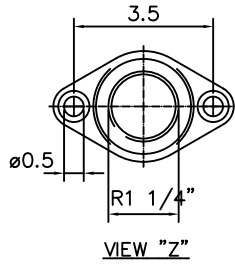
Type.	Dim "X"
Pir S13/4	347
Pir S12/2	347
Pir S17/2	347
Pir S21/2	360
Pir S26/2	360

SULZER

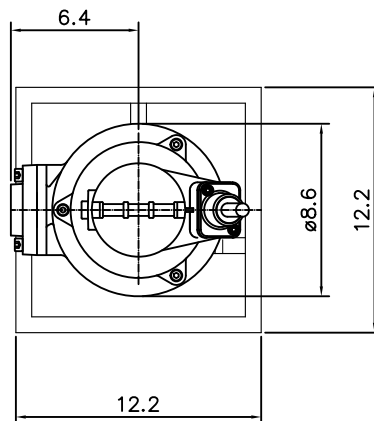
Massblatt S10/4 S20/2 S30/2 Transportable
Dimension sheet
Plan d'encombrement

No: AN-M.12.46-05
Drawn: 11.08.99 / C.Quirke
Issue Date: 30/03/2015
Änderungen vorbehalten
Technical changes reserved
Con riserva di modifiche
Con reserva de modificaciones
Sous réserve de modification

U.S.



★ LOWEST SWITCH OFF POINT FOR AUTOMATIC OPERATION



Type.	Dim "X"
Pir S10/4	13.6
Pir S20/2	13.6
Pir S30/2	14.2