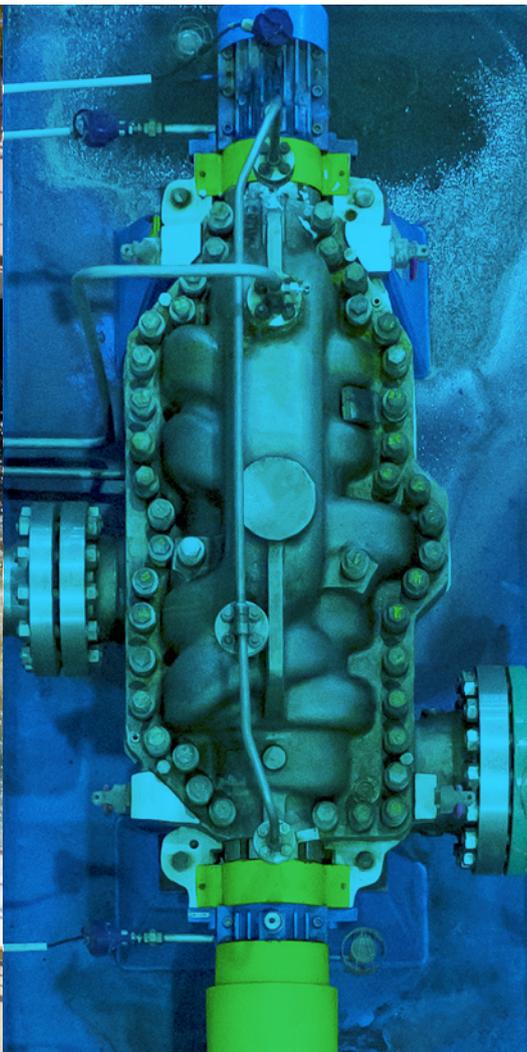


SULZER

Pumps and pumping systems

Pumping solutions for desalination

Safe access to clean drinking water is a basic human need. Sulzer delivers excellent product quality and performance reliability for the most critical applications in desalination. [sulzer.com/desalination](https://www.sulzer.com/desalination)





What are the pumping needs for your desalination project or plant?

We support you in all aspects from plant design to maintenance service of your installed pumps.

Experience, proven technology and continuous innovation

As a global leader in pump design and manufacture, Sulzer is recognized for delivering excellent product quality and performance reliability for the most critical applications in desalination. Based on our experience and proven technology we help you operate your plants more efficiently. We share our expertise and create enduring, efficient and economical solutions. Today we have installed nearly 6'000 pumps in desalination plants that produce more than 20 million m³ of fresh water every day.

Safe access to clean drinking water is a basic human need. Where desalination is the source of choice for drinking water, this calls for optimized production costs, and the design of the desalination plant focuses on the optimization of the specific consumption of the plant. Here, we support you with a range of dedicated products specifically designed for desalination, focusing on highest efficiency and optimized equipment design, thus providing lowest OPEX and lowest CAPEX solutions to you as our customer.

Sulzer is recognized as one of the market leaders and a full-line supplier of pumps for sea or brackish water desalination plants using Reverse Osmosis (RO) or Multi Effect Distillation (MED) technology.

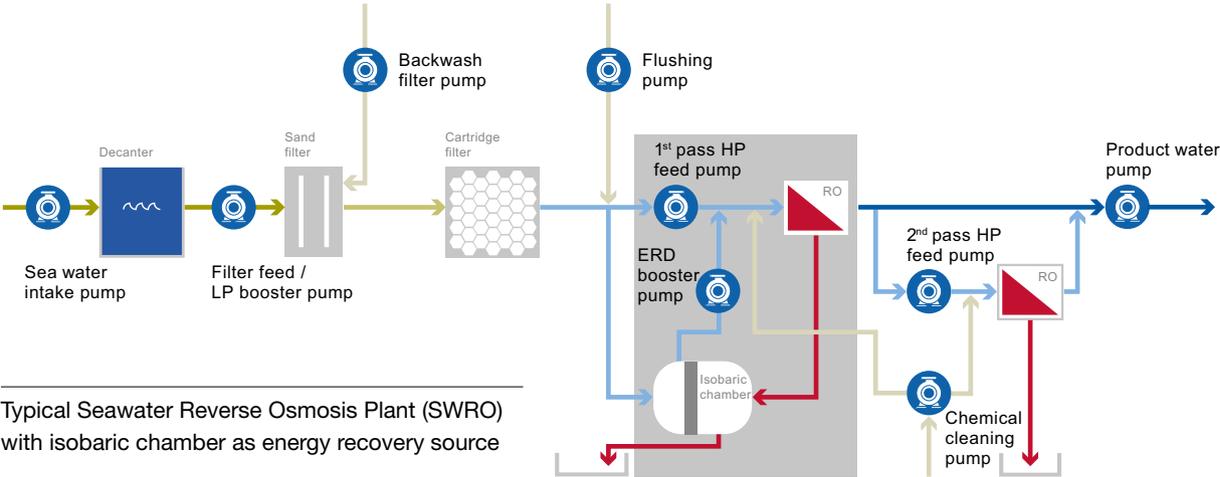
With a strong image as a solution provider, Sulzer is perceived as a pump innovation leader in desalination. We helped to develop and implement the Pump Pressure Center concept for large SWRO plants and successfully supplied end suction pumps for large MED desalination plants as an industry-first.

The materials needed in desalination call for Sulzer's high-class manufacturing expertise, and once your desalination plant is operational, we offer structured maintenance solutions and tailored service contracts that keep your rotating equipment up to the proper standard.

Our long-standing relationships with the customers in desalination worldwide underline our spirit to be a reliable partner of the desalination industry.



From salt to tap with the pumps at heart



6'000
Sulzer pumps
help to produce

20M
cubic meters of freshwater
each day around the world



Our comprehensive product portfolio

Sulzer offers a wide range of pumps for seawater reverse osmosis plants as well as multi-effect-distillation plants. The table below offers an overview of the product offering and shows in what part of the desalination process the pumps can be used.

Product types		Water intake	Filter feed/ LP booster	HP feed	ERD booster	Auxiliary services	Product transfer	MED applications
Axially split pumps	MSN-RO			●			●	
	MSD-RO			●			●	
	MSD			●			●	
	HPDM			●			●	
	HSB			●				
	SMD	●	●				●	●
Ring section pumps	MBN-RO			●				
	MBN			●				
	VMS					●		
Vertical pumps	SJT	●	●					
	SJT-CWP	●	●					
End suction pumps	ZE		●				●	●
	ZF				●			
	ZF-RO				●			
	A-RO	●	●			●	●	●
	A	●	●			●	●	●
	CPT	●	●			●	●	●
	SNS					●		

Product overview

Axially split pumps

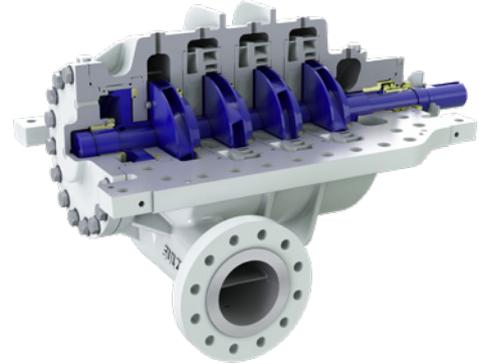
MSN-RO axial split multistage membrane feed pump

Features and benefits

- Industry-leading efficiency for reduced energy consumption
- Modular design to provide exact membrane feed pressure
- Different hydraulics to meet a wide array of flow requirements
- Smallest pump footprint with product lubricated bearings

Key characteristics

Capacities	up to 1'450 m ³ /h / 7'680 USgpm
Heads	up to 840 m / 2'940 ft.
Pressures	up to 100 bar / 1'450 psi
Temperatures	up to 50°C / 122°F



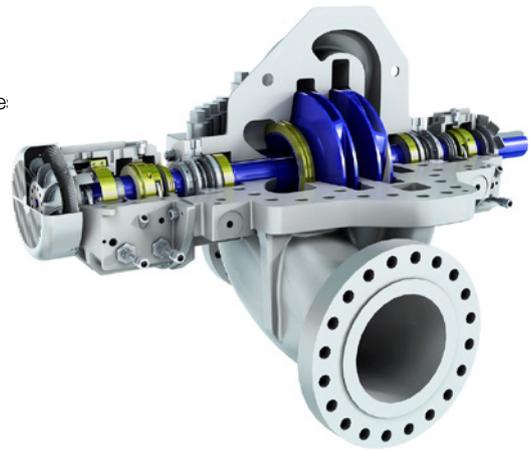
MSD-RO axially split multistage pump

Features and benefits

- Hydraulic configuration with two single suction impellers offers a compact design, with extremely low Net Positive Suction Head (NPSH) value of its class efficiency
- Special opposed, dynamically balanced impeller design for ideal axial thrust balance, increasing the overall pump efficiency by avoiding the use of balancing line
- Reduced wear parts clearances by using PEEK or honeycomb to increase pump efficiency

Key characteristics

Capacities	up to 1'600 m ³ /h / 7'000 USgpm
Heads	up to 730 m / 2'395 ft.
Pressures	up to 90 bar / 1'305 psi
Temperatures	up to 60°C / 140°F



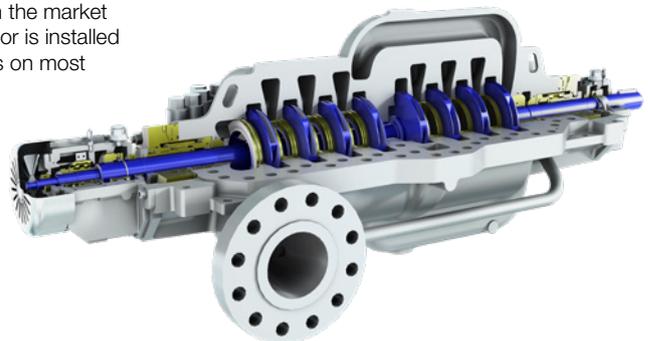
MSD and MSD2 axially split multistage pumps ISO 13709 / API 610 type BB3

Features and benefits

- Broadest hydraulic coverage of any BB3 type multistage pump in the market
- Axially split casing means rotor balance is not disturbed when rotor is installed
- Opposed impellers balance axial thrust, saving lube system costs on most applications
- Double suction, first-stage available on most sizes for reduced Net Positive Suction Head (NPSH)
- High speed option for gas turbine drive/recharge piping

Key characteristics

Capacities	up to 3'200 m ³ /h / 14'000 USgpm
Heads	up to 2'900 m / 9'500 ft.
Pressures	up to 300 bar / 4'400 psi
Temperatures	up to 205°C / 400°F



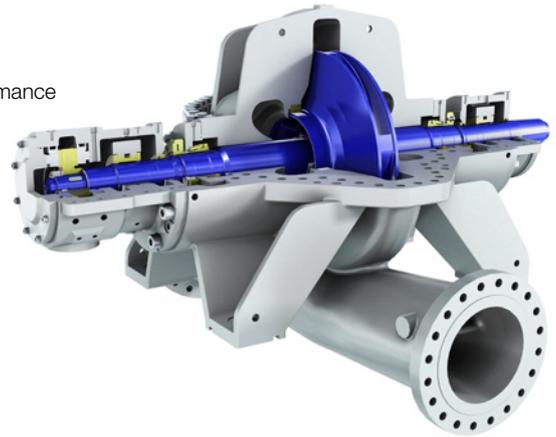
HPDM axially split volute casing pump

Features and benefits

- Optimum technical solution due to tailor-made design for each application
- A wide range of proven hydraulics allows high efficiency and suction performance
- Sturdy design with generous safety margins for long life of reliable service with minimum maintenance
- Proven experience backed by extensive list of references
- Technical support from early phases of the project design, allowing sound and cost-effective solutions for each application

Key characteristics

Capacities	1'000 to 20'000 m ³ /h / 4'400 to 88'000 USgpm
Heads	up to 700 m / 2,300 ft.
Pressures	up to 175 bar / 2'500 psi
Temperatures	up to 70°C / 160°F



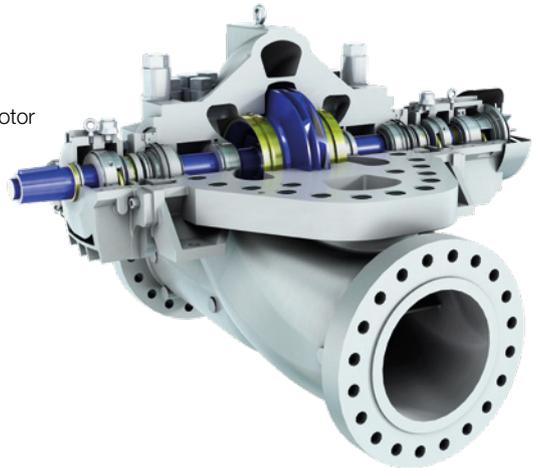
HSB horizontal axially split single stage between bearing pump ISO 13709 / API 610 type BB1

Features and benefits

- Staggered vane, double suction impeller on larger sizes for reduced vibration
- Custom hydraulics to meet both current and future requirements with simple rotor / volute changes
- Ball-ball, sleeve-ball and sleeve-pivot shoe bearings available
- High-speed designs available for remote gas turbine-driven applications

Key characteristics

Capacities	up to 10'000 m ³ /h / 45'000 USgpm
Heads	up to 550 m / 1'800 ft.
Pressures	up to 150 bar / 2'200 psi
Temperatures	up to 205°C / 400°F



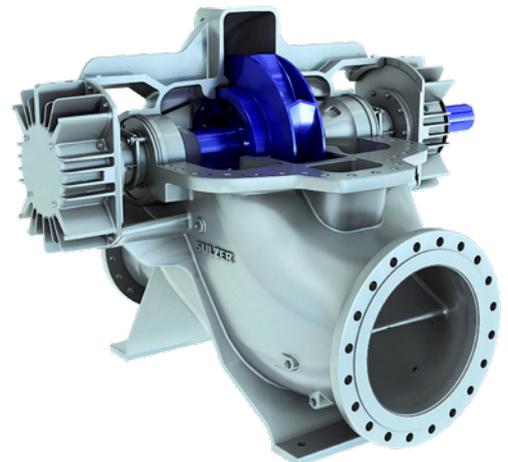
SMD axially split casing double suction pump

Features and benefits

- Optimum hydraulic fit with high efficiency maintained over a wider flow range
- Exceptionally low Net Positive Suction Head Required (NPSHR) value not only at the best efficiency point but also on overload
- Maintenance-friendly features; excellent interchangeability of parts
- Horizontal and vertical constructions

Key characteristics

Capacities	up to 16'000 m ³ /h / 70'000 USgpm
Heads	up to 260 m / 850 ft.
Pressures	up to 34 bar / 490 psi
Temperatures	up to 140°C / 280°F



Ring section pumps

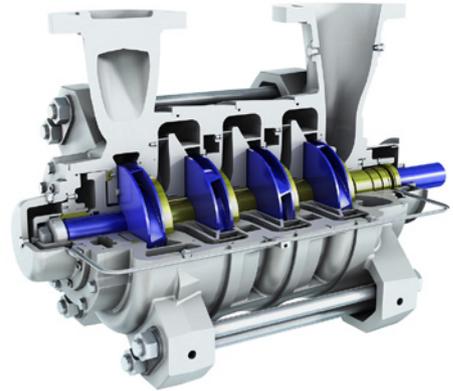
MBN-RO multistage ring section pump

Features and benefits

- Top of its class efficiency to ensure lowest specific power consumption per produced cubic meter of water in desalination applications
- Different hydraulics can be fitted in the same pump frame, allowing flexibility, modularit and future retrofiting
- All parts typically subject to maintenance both Drive End (DE) and Non-Drive End (NDE) bearings, balancing disc, mechanical seal are accessible and can be replaced on site, without removal of suction and discharge piping

Key characteristics

Capacities	up to 1'100 m ³ /h / 4'800 USgpm
Heads	up to 900 m / 2'950 ft.
Pressures	up to 100 bar / 1'450 psi
Temperatures	up to 90°C / 194°F



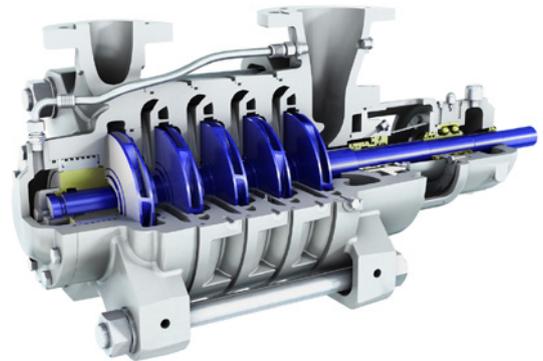
MBN medium pressure stage casing pump

Features and benefits

- Simple construction to minimize dimensions and reduce investment and maintenance costs
- High quality investment cast impellers and diffusers for better efficiency
- Fast and easy impeller mounting
- Bearing unit can be serviced without disassembling the pumps
- Wide range of materials including duplex stainless steel grades

Key characteristics

Capacities	up to 700 m ³ /h / 3'080 USgpm
Heads	up to 900 m / 2'950 ft.
Pressures	up to 100 bar / 1'450 psi
Temperatures	up to 180°C / 355°F



VMS vertical multistage pump

Features and benefits

- Unique hydraulic design gives an efficiency of up to 80%
- Low NPSHr for vibration-free operation and extended life span
- Durable solution with high quality materials
- Suitable for drinking water with ACS, WRAS and NSF certification

Key characteristics

Capacities	up to 162 m ³ /h / 850 USgpm
Heads	up to 400 m / 1'350 ft.
Pressures	up to 40 bar / 580 psi
Temperatures	-20°C to 140°C / -4°F to 284°F



Vertical pumps

SJT vertical pump

Features and benefits

- Optimized hydraulics for high efficiency
- Packed stuffing box for reliable sealing and simple maintenance; mechanical seal is optional
- Rubber-lined product-lubricated bearing in bowls and columns for long maintenance-free periods; other bearing materials are also available
- Can be built to ISO 13709 / API 610 requirements

Key characteristics

Capacities	up to 62'000 m ³ /h / 270'000 USgpm
Heads	up to 110 m / 350 ft. per stage
Pressures	up to 64 bar / 930 psi
Temperatures	up to 50°C / 122°F



SJT-CWP vertical water pump

Features and benefits

- Modern fabricated suction bell and bowl casing incorporating swirl break for stable pump performance curve
- Semi-open or closed cast impeller design for best fitting and optimum efficiency
- Segmented elbow to reduce the internal losses
- Optional full pull-out construction to reduce lifting crane capacity and ease maintenance

Key characteristics

Capacities	up to 90'000 m ³ /h / 396'000 USgpm
Heads	up to 60 m / 200 ft.
Pressures	up to 12.6 bar / 183 psi
Temperatures	up to 50°C / 122°F



End suction pumps

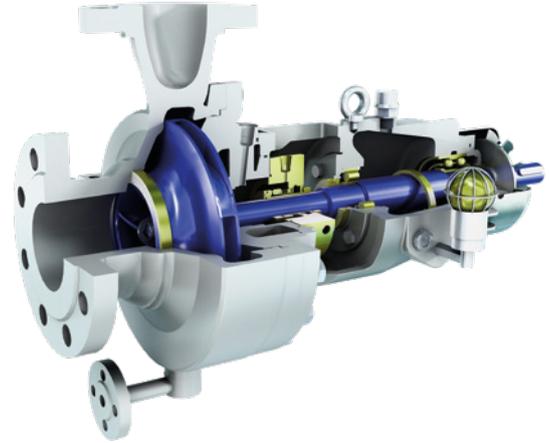
ZE and ZF end suction pumps ISO 13709 / API 610 type OH2

Features and benefits

- Designed for hot and cold process applications
- Modular construction to provide maximum interchangeability

Key characteristics

Capacities	up to 2'600 m ³ /h / 11'440 USgpm
Heads	up to 300 m / 1'000 ft.
Pressures	up to 100 bar / 1'450 psi
Temperatures	up to 425°C / 800°F



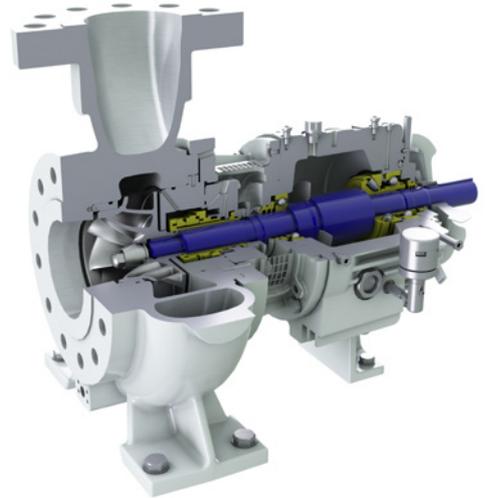
ZF-RO end suction pump

Features and benefits

- Industry-leading efficiency for reduced energy consumption
- Wide operational envelope via VFD enables high-efficiency performance across a wide range of heads and flow rates
- Reinforced mechanical design to meet the demanding process specifications for booster ERD pump
- Heavy-duty thrust bearings suitable for high suction pressure

Key characteristics

Capacities	up to 2'600 m ³ /h / 11'450 USgpm
Heads	up to 70 m / 230 ft.
Pressures	up to 100 bar / 1'450 psi
Temperatures	up to 60°C / 140°F



A-RO end suction pump

Features and benefits

- Industry-leading efficiency for reduced energy consumption
- Wide operational envelope via VFD enables high-efficiency performance across a wide range of heads and flow rates
- Optimized suction capacity for low Net Positive Suction Head required (NPSHr)
- Balanced mechanical design and high-performance bearing unit

Key characteristics

Capacities	up to 6'000 m ³ /h / 26'415 USgpm
Heads	up to 200 m / 600 ft.
Pressures	up to 25 bar / 360 psi
Temperatures	up to 39°C / 102°F



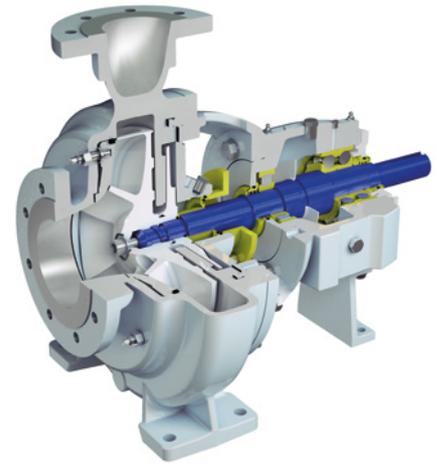
AHLSTAR A end suction single stage centrifugal process pump

Features and benefits

- Designed to meet the EN ISO 5199 reliability standard as well as EN 22858 (ISO 2858) standard
- Modular interchangeability of parts and components enables low spare parts inventory
- Low total cost shaft seal concept, with dynamic seal, mechanical seals and packing
- Designed for fast and easy installation, maintenance and service

Key characteristics

Capacities	up to 11'000 m ³ /h / 48'400 USgpm
Heads	up to 160 m / 525 ft.
Pressures	up to 16 / 25 bar, 230 / 360 psi, depending on material and size
Temperatures	up to 180°C / 355°F



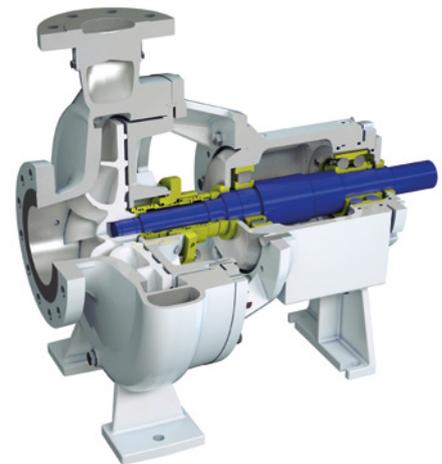
CPT end suction single stage centrifugal pump ANSI B73.1

Features and benefits

- Exceeds standard requirements of ANSI/ASME B73.1 standards
- Suitable for the most demanding industrial applications
- Unique, patented and superior design features minimize life cycle costs
- Quick and easy installation, safe operation, easy maintenance and service

Key characteristics

Capacities	up to 1'600 m ³ /h / 7'000 USgpm
Heads	up to 220 m / 720 ft.
Pressures	up to 26 bar / 375 psi
Temperatures	up to 260°C / 500°F



SNS end-suction single-stage process pump

Features and benefits

- Designed to meet the design requirements of EN 5199 international standard
- Exceeding EU's (European Union) requirements for energy-related products (ErP)
- Highest efficiency across the whole pump range, exceeding the benchmark efficiency index MEI 0.7 (minimum efficiency index)
- New, state-of-the-art hydraulics ensure optimum capacity with low net positive suction head required (NPSHr)
- Low energy consumption, high standardization, easy installation and unique construction also equate to lower maintenance and operating costs

Key characteristics

Capacities	up to 1'400 m ³ /h / 6'000 USgpm
Heads	up to 160 m / 525 ft.
Pressures	up to 16 bar / 230 psi
Temperatures	up to 120°C / 250°F



The Sulzer Flow division keeps your processes flowing. Wherever fluids are treated, pumped, or mixed, we deliver highly innovative and reliable solutions for the most demanding applications.

The Flow division specializes in pumping solutions specifically engineered for the processes of our customers. We provide pumps, agitators, compressors, grinders, screens and filters developed through intensive research and development in fluid dynamics and advanced materials. We are a market leader in pumping solutions for water, oil and gas, power, chemicals and most industrial segments.

E00551 en 10.2024, Copyright © Sulzer Ltd 2024

This brochure is a general presentation. It does not provide any warranty or guarantee of any kind. Please, contact us for a description of the warranties and guarantees offered with our products. Directions for use and safety will be given separately. All information herein is subject to change without notice.

