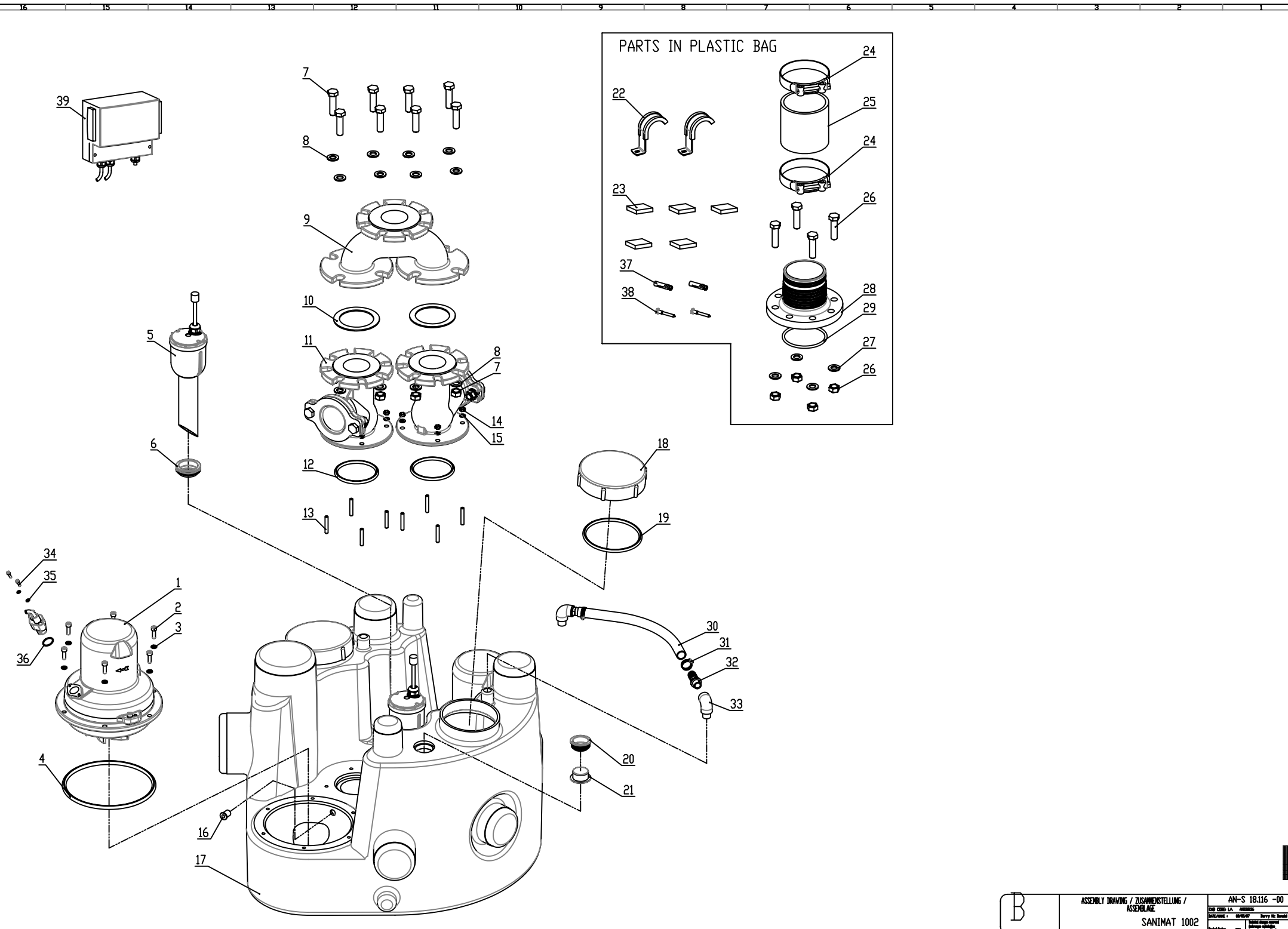


SPARE PARTS LIST/ERSATZTEILLISTE/LISTE DE PIÈCES DE RECHANGE
**SANIMAT 1002 D (S13/2 W)
SANIMAT 1002 D/HD (S12/2, S17/2 D)**

Valid from Serial Number: - (Version 2007)

Page :
Issue of : 28/10/2011
Supersedes Issue :
Issue No. : 01
Drawing ref. Nr. : ANS18116-00

Pos. No.	Part No.	Kit	Qty	Description	Benennung	Designation	Dimensions /Din	Comments	Price
1	09525095	*	2	Motor	Motor	Moteur	400/3/50 (4m cable)	14/4-Imp. Ø170mm	
1	09525097		2	Motor	Motor	Moteur	230/3/50 (4m cable)	14/4-Imp. Ø170mm	
1	09525096	*	2	Motor	Motor	Moteur	400/3/50 HD(4m cable)	22/4-Imp. Ø200mm	
1	09525098		2	Motor	Motor	Moteur	230/3/50 HD(4m cable)	22/4-Imp. Ø200mm	
2	11210243		12	Cylinder screw	Zylinderschraube	Vis à tête cylindrique	M8x25 DIN912	1.4401	
3	11520017		12	Spring washer	Federring	Rondelle	A8 1.4401 DIN127		
4	11120631		2	O-ring	O-ring	Joint torique	Ø220x8 DIN3771	EPMD50	
5	61245044		2	Pressure switch	Druckschalter	Interrupteur			
6	43075134		2	Seal	Dichtung	Joint	DN50	Sanimat	
7	14060100		8	Hex bolt	Sechskantschraube	Vis hexagonal	M16x60	Bolt + Nut	
8	11470008		16	Washer	Scheibe	Rondelle	B17		
9	32865003		1	Transition piece	Übergangsstück	Manchette	DN?? GG25		
10	43070569		2	Gasket	Flachdichtung	Joint plat	120x90x3	60 Shore	
11	61405028		2	Ball checkvalve	Kugelventil	Clapet à boule	DN80 Cast iron	SANIMAT	
12	11120632		2	O-ring	O-ring	Joint torique	Ø100x8 DIN3771	EPMD50	
13	11350054		8	Stud	Stiftschraube	Goujon	M8x50		
14	11400083		8	Hexagonal nut	Sechskantmutter	Ecrou hexagonal	M8 DIN934	1.4401	
15	11520017		8	Spring washer	Federring	Rondelle	A8 1.4401 DIN127		
16	43075104		2	Seal	Dichtung	Joint			
17	42885031		1	Tank	Behälter	Reservoir		SANIMAT 2007 (PE)	
18	42480008		2	Lid	Deckel	Couvercle			
19	11125009		2	O-ring	O-ring	Joint torique	Ø10x150 EPDM		
20	11150002		1	Seal	Dichtung	Joint	Ø46x40x20mm		
21	42850004		1	Blocking cap	Verschlußstopfen	Capot			
22	41425096		2	Bracket	Haltewinkel	Butée		Sanimat (Anti-flotation)	
23	44275012		5	Vibration damper	Vibrationsdampfer	Joint moteur		Sanimat 06	
24	15070038		2	Hose clamp	Schlauchschelle	Collier	Ø125-135x25mm		
25	15060116		1	Hose pipe	Schlauchleitung	Conduite en tuyau	Ø110x8x120mm	Flexible	
26	14060100		4	Hex bolt	Sechskantschraube	Vis hexagonal	M16x60	Bolt + Nut	
27	11470008		4	Washer	Scheibe	Rondelle	B17		
28	41400593		1	Flange	Flansch	Bride	DN80	Plastic	
29	11120322		1	O-ring	O-ring	Joint torique	Ø90x10 DIN3771	NBR70	
30	15065005	A	0.37	Hose pipe	Schlauchleitung	Conduite en tuyau	ID19mm PVC Clear	PVC Clear	
31	15070124	A	2	Hose clamp	Schlauchschelle	Collier	Ø16-25x9mm GALV		
32	15025003	A	2	Coupling	Kupplung	Accouplement	G1/2"20mm SPG PP		
33	13725006	A	2	Elbow	Krümmer	Code	90° G1/2" EQ M/FM PP		
34	11210112		2	Cylinder screw	Zylinderschraube	Vis à tête cylindrique	M5x16 DIN912	1.4401	
35	11470017		2	Washer	Scheibe	Rondelle	A5.3 DIN125		
36	11120518		1	O-ring	O-ring	Joint torique	Ø25x2.5 DIN3771		
37	14130006		2	Plug masonry	Sicherheitsdübel	Cheville de sécurité	12mm		
38	11380011		2	Hexagonal screw	Sechskantschraube	Hexagonal	WD8x50 DIN571		
39	15207060	*	1	Control box	Schaltkasten	Boite commande	400/3/50 (CP253)		
	62665318	A		Vent kit	Entlüftungsrohrsatz	Kit Tube d'aspiration			



PARTS IN PLASTIC BAG

24

25

24

26

27

28

29

26

22

23

37

38