

Lifting Station Type ABS Nirolift

SULZER

Synthetic, single pumping station, designed as a complete wastewater sump for below-ground installation and for fitting with Sulzer pumps from the Robusta, Coronada and MF ranges.

Applications

For the effective dewatering of domestic and commercial wastewater from buildings and areas below the sewer level in accordance with EN 12050-2.

The Nirolift is suitable only for the pumping of faecal-free wastewater such as the discharge from washing machines, sinks, dishwashers, showers and bathtubs.

For applications where pumping cannot be interrupted the Sanisett twin pumping station unit should be installed.

Features

- Globular shape for extra strength, with PP-30GF manhole cover featuring floor run-off and option of odour lock with aeration and venting.
- Universally adjustable in height and can be swivelled, thus allowing easy alignment with floor levels and tiling patterns, independent of the inflow or direction of the discharge lines. A 150 mm sump extension kit is available as an accessory.
- Designed for one Coronada 250 or MF 154 - 334 pump with KS float switch, or for one Robusta 200 pump with built-in level control.
- Two inflow ports DN 100 at 90° offset for DIN push-on connection. One port DN 70 for venting and use as a cable duct (supplied as standard with plug / cable inlet seal). One discharge port DN 40 with R 1¼" PVC female adaptor.
- Plastic cover for protection of the floor grating during installation work supplied as standard.
- Kit available as an accessory for sealing top of tank to damp-proof course.
- Suitable for use as a floor drain. Alternatively a stainless steel insert for fitting into the manhole cover to close and seal the run-off vent is available as an accessory.
- Maximum allowable temperature of medium 40 °C, short term to 60 °C (max. 5 minutes).

Pump type

- Light drainage pump type ABS Robusta 200 WTS, for pumping of ground and rain water, and water from hand-basins, and washing machines.
- Light drainage pump type ABS Coronada 250 WKS, for wastewater (as Robusta above), but suitable also for aggressive ground water thanks to the stainless steel pump housing and a mechanical seal for shaft sealing.
- Light wastewater pump type ABS MF 154 W to 334 D, for wastewater with large solid particles present. Up to 30 mm solids passage.

Pump selection is determined by the intended application and by the volume of the medium.



Tank

Synthetic, corrosion-resistant, gas- and odour-tight tank, in accordance with EN 12050-2. Supplied as standard with cover, seals, installation kit, and non-return valve. Pump not included.

Capacity: 100 litres

Weight: 11.5 kg (without pump)

Motor

Water pressure sealed, squirrel cage 2-pole induction motor.

Insulation: Class B (130 °C) for Robusta

Class F (155 °C) for Coronada and MF

Protection type: IP 68

Materials

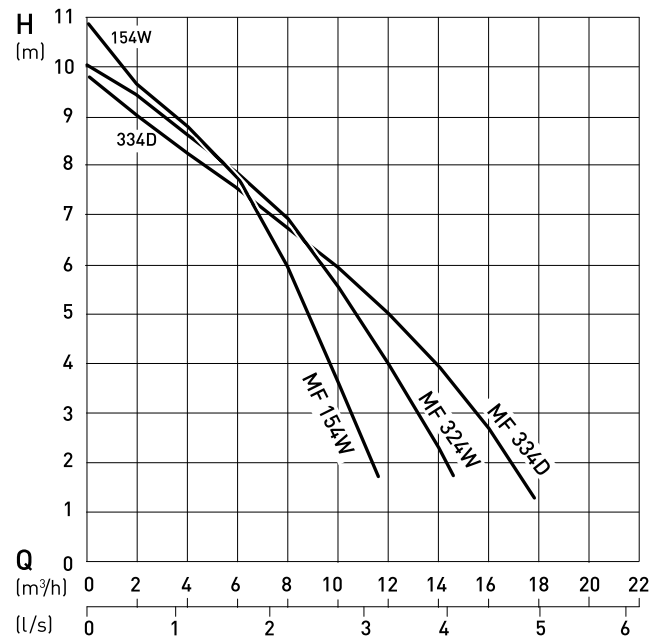
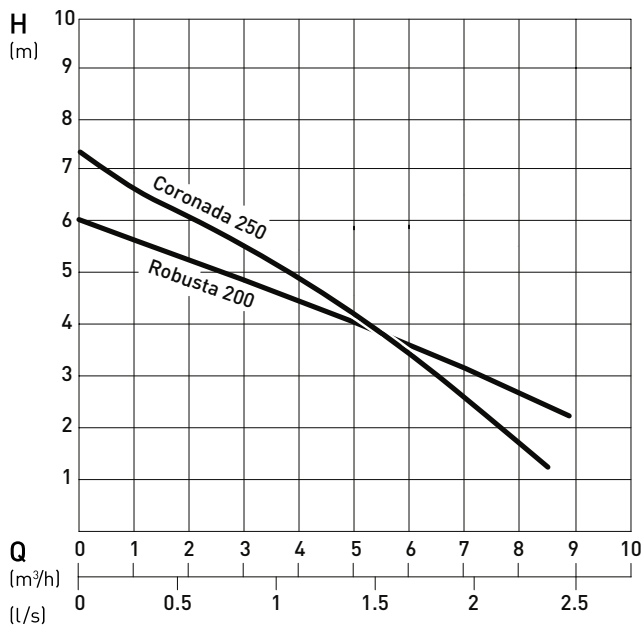
	Description	Material
Robusta	Tank	Polyethylene
	Pump housing	PP
	Rotor shaft	Stainless steel 1.4057 (AISI 431)
	Motor housing	Stainless steel 1.4301 (AISI 304)
	Impeller	PA
	Seals	NBR
	Cable	Neoprene
MF	Upper lid	Stainless steel 1.4301 (AISI 304)
	Motor housing	Cast iron EN-GJL-250
	Rotor shaft	Stainless steel 1.4021 (AISI 420)
	Volute	Cast iron EN-GJL-250
	Impeller	Polyamide
	Seal	Neoprene
	Fasteners	Stainless steel 1.4401 (AISI 316)
Coronada	Pump housing	Stainless steel 1.4301 (AISI 304)
	Motor housing	Stainless steel 1.4301 (AISI 304)
	Rotor shaft	Stainless steel 1.4305 (AISI 303)
	Impeller	PPO
	Cable	Neoprene

Technical Data

Pump type	Robusta 200 W/TS	Coronada 250 W/KS	MF 154 W/KS	MF 324 W/KS	MF 334 D/KS
Pump discharge internal thread	G 1¼"	G 1¼"	G 1½"	G 1½"	G 1½"
Solids passage [mm]	10	10	20	30	30
Motor power [kW] * P ₁ P ₂	0.36 0.16	0.50 0.30	0.65 0.42	0.83 0.54	0.83 0.56
Rated current [A]	1.60	2.28	2.80	3.60	1.40
Rated voltage [V]	220-240 1~	220-240 1~	220-240 1~	220-240 1~	400 3~
Speed [r/min]	2900	2900	2900	2900	2900
Cable (HO7RN-F) **	3G 1.0	3G 1.0	3G 1.0	3G 1.0	4G 1.0
Cable length [m]	10	10	3 ⁽¹⁾ , 10	3 ⁽¹⁾ , 10	3 ⁽¹⁾ , 10
Pump weight [kg]	3.8	4.5	8.5	8.5	8.9

* P₁ = Power taken from mains. P₂ = Power at motor shaft. ** With Schuko plug (single phase) or CEE plug (three phase). ⁽¹⁾ KS version only.

Performance Curves 50 Hz



H = Total head. Q = Discharge volume. Curves to ISO 9906.

Installation

Attention to the backwash level is of vital importance for effective dewatering. All outflow points located below the backwash level must be protected against back flow according to standard EN 12056.

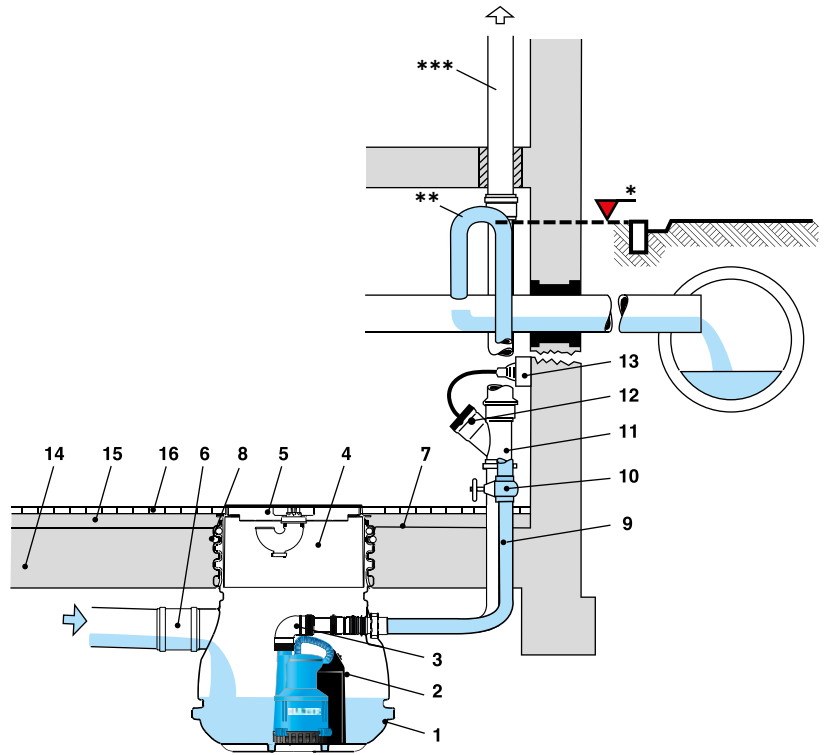
Example

1. Polyethylene tank
2. Sulzer wastewater pump with TS level-control system
3. Bend with non-return valve
4. Upper fitting
5. Cover plate with floor run-off and odour lock
6. Inflow port
7. Damp-proof course
8. Seal
9. Discharge line
10. Shut-off valve
11. Vent/cable duct DN 70 brought to above roof level
12. Cable inlet, odour tight
13. Earthed socket
14. Concrete
15. Screed
16. Floor tiles

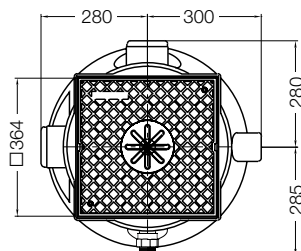
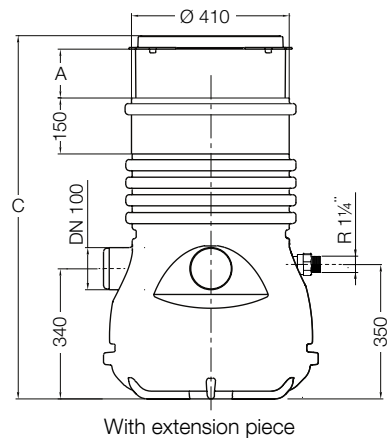
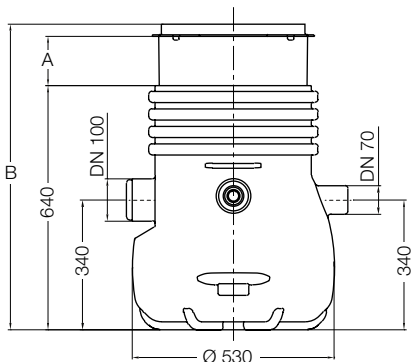
* Backwash level

** Backwash loop with base above the backwash level.

*** External ventilation pipe



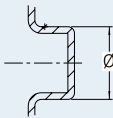
Dimensions (mm)



- A = 130 max
- B = 670 min, 800 max
- C = 880 min, 950 max

Inlet diameters

Ø	(mm)
DN 70	+0.2 Ø 75 -1.0
DN 100	+0.3 Ø 110 -1.0



Switching and Volume Levels

Tank / Pump	ON [mm]	OFF [mm]	Switching Volume [L]	Residual Volume [L]
Nirolift / Robusta	145	50	20	7
Nirolift / Coronada	280	120	35	20
Nirolift / MF 154-334	290	90	40	15

Accessories

	Description	Part no.
General	Sump Extension one only to max. 150 mm may be used	62665196
	DPC Connection Kit cast iron ring with synthetic sealing and support rings for connecting top of tank to damp-proof course	62665198
	Odour-lock Kit	62665195
	Lid Insert (stainless steel) closes and seals run-off vent in manhole cover	41025020
Electrical	Plug-In Alarm Kits Acoustic alarm with signalling unit for connection to 230 V (Schuko) socket. Acoustic alarm signal, potential-free NO (Normally Opened) contact (I max 12 A / V max 250 V). Optional rechargeable accumulators for mains-independent alarm signal. With KS float switch With NSM05 "broken finger" With humidistat	16025001 16025003 16025004
	WM-Stop Alarm Kits Acoustic alarm with signalling unit for plugging in to a 230 V (Schuko socket), with integral 230 V Schuko socket into which the washing machine is plugged (I max 16 A). Optional rechargeable accumulators for mains-independent alarm signal. With KS float switch With NSM05 "broken finger" With humidistat	16025002 16025005 16025006
	NC-AKKU 9 V rechargeable battery for mains-independent alarm.	12820018