

SPARE PARTS LIST/ERSATZTEILLISTE/LISTE DE PIÈCES DE RECHANGE

SULZER**AS 0841 S22/4 D 50Hz Std. & EX**

Valid from Serial Number: 100 -

Issue of : 25/01/21

Supersedes Issue :

Issue No. : ,03

Drawing ref. Nr. : AN-S.12.281

Pos. No.	Part No.	Kit	Qty	Description	Benennung	Designation	Dimensions /Din	Comments	Price
1	31005034		1	Motorhousing	Motorgehäuse	Carcasse moteur			
2	11120468	A	1	O-ring	O-ring	Joint torique	47x3 DIN3770	Viton	
3	43025339		1	Cable EasyFit	Kabel EasyFit	Cable EasyFit	4x1.5	10m (D)	
3	43025340		1	Cable EasyFit	Kabel EasyFit	Cable EasyFit	4x1.5	20m (D)	
3	43025341		1	Cable EasyFit	Kabel EasyFit	Cable EasyFit	4x1.5	30m (D)	
3	43025323		1	Cable EasyFit	Kabel EasyFit	Cable EasyFit	7x1.5	10m (D)	
3	43025325		1	Cable EasyFit	Kabel EasyFit	Cable EasyFit	7x1.5	20m (D)	
3	43025327		1	Cable EasyFit	Kabel EasyFit	Cable EasyFit	7x1.5	30m (D)	
4	12180002		4(7)	Cable shoe	Flachsteckhülse	Cosse-câble		(7) for 7 core cable	
5	11210238		4(2)	Cylinder screw	Zyl.Blechschrabe	Vis à tête plate	M8x30 DIN912	(2) EasyFit	
6	43025563		1	Cable	Kabel	Cable	4x1.5	10m (W/D)	
6	43025569		1	Cable	Kabel	Cable	4x1.5	20m (W/D)	
6	43025657		1	Cable	Kabel	Cable	4x1.5	30m (W/D)	
6	43025535		1	Cable	Kabel	Cable	7x1.5	10m (D)	
6	43025536		1	Cable	Kabel	Cable	7x1.5	20m (D)	
6	43025537		1	Cable	Kabel	Cable	7x1.5	30m (D)	
6	43025763-10		1	Cable	Kabel	Cable	7x1.5	10m (D)	
6	43025763-20		1	Cable	Kabel	Cable	7x1.5	20m (D)	
6	43025763-30		1	Cable	Kabel	Cable	7x1.5	30m (D)	
7	31325008		1	Cable cap	Kabeleinführung	Entree de cable	GG25 (Ø12)	Cable 4x1.5	
7	31320140		1	Cable cap	Kabeleinführung	Entree de cable	GG25 (Ø20)	Cable 4x1.5+3x0.5 Cable 7x1.5	
8	42015009		2	Washer	Scheibe	Rondelle	Ø34x18x1.5		
9	43075058	A	1	Cable seal	Kabeldichtung	Joint de kabel	Ø34x11.5x29.5H	Cable 4x1.5	
9	43075056	B	1	Cable seal	Kabeldichtung	Joint de kabel	Ø34x11.5x29.5H (viton)	Cable 4x1.5	
9	43075048	A	1	Cable seal	Kabeldichtung	Joint de kabel	Ø34x16x29.5H	Cable 4x1.5+3x0.5 Cable 7x1.5 SO7RN-F OZ+	
9	43075057	B	1	Cable seal	Kabeldichtung	Joint de kabel	Ø34x16x29.5H (viton)	Cable 4x1.5+3x0.5 Cable 7x1.5 SO7RN-F OZ+	
9	43075049	A	1	Cable seal	Kabeldichtung	Joint de kabel	Ø34x16.8x29.5H	Cable 7x1.5 TL07RN-F	
9	43075028	A	1	Cable seal	Kabeldichtung	Joint de kabel	Ø34x13.8x29.5H	Cable 7x1.5 Tecwater	
9	43075068	B	1	Cable seal	Kabeldichtung	Joint de kabel	Ø34x16.8x29.5H (Viton)	Cable 7x1.5 TL07RN-F	
9	43075034	B	1	Cable seal	Kabeldichtung	Joint de kabel	Ø34x13.8x29.5H (Viton)	Cable 7x1.5 Tecwater	
10	12180044		3	Butt connection	St. verbinder	Connecteur	Ø1.0-2.5mm		
11	11060005		1	Support Washer	Tragscheibe	Rondelle	Ø20x28x2 DIN988		
12	11020006		1	Ball bearing	Kugellager	Roulement à billes	5205 B. DIN628		
13	11120817	A	1	O-ring	O-ring	Joint torique	Ø160x3 DIN3771		
13	11120870	B	1	O-ring	O-ring	Joint torique	Ø160x3 DIN3771	Viton	
14	11080010	AB	1	Circlip	Sicherungsring	Circlips	Ø52x2 DIN472		
15	11110001		1	Mechanical seal	Gleitringdichtung	Garniture mecanique	Ø20mm		
15	11110149		1	Mechanical seal	Gleitringdichtung	Garniture mecanique	Ø20mm (Viton)	Viton	
16	11121027		1	O-ring	O-ring	Joint torique	Ø190x4 DIN3770		
17	11210246		4	Cylinder screw	Zylinderschraube	Vis à tête cylindrique	M10x45 DIN912	1.4401	

SULZER CONFIDENTIAL

SPARE PARTS LIST/ERSATZTEILLISTE/LISTE DE PIÈCES DE RECHANGE

SULZER**AS 0841 S22/4 D 50Hz Std. & EX**

Valid from Serial Number: 100 -

Issue of : 25/01/21

Supersedes Issue :

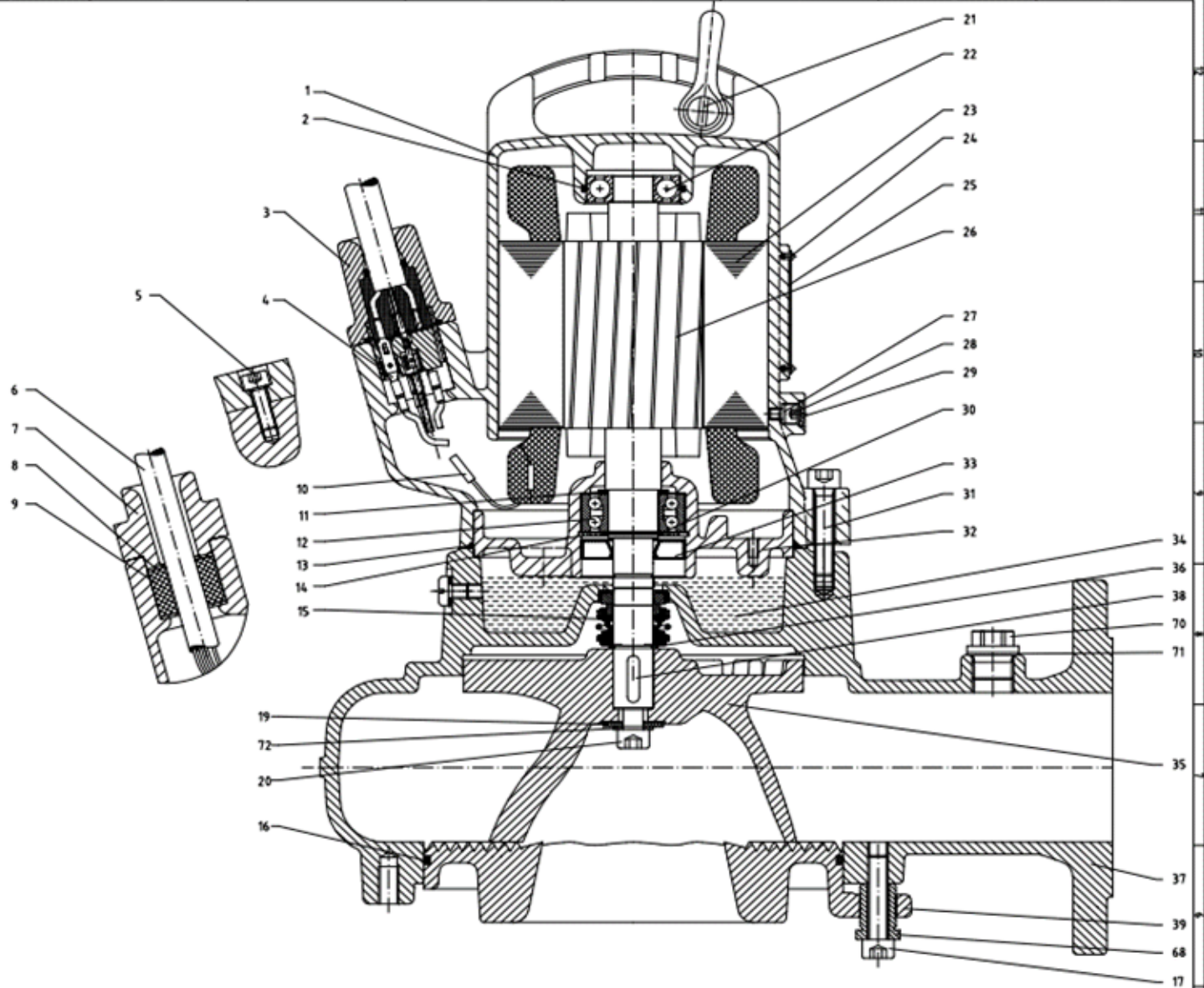
Issue No. : ,03

Drawing ref. Nr. : AN-S.12.281

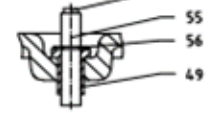
Pos. No.	Part No.	Kit	Qty	Description	Benennung	Designation	Dimensions /Din	Comments	Price
19	11470064		1	Washer	Scheibe	Rondelle	A10.5 DIN9021	1.4301	
20	11210246		1	Cylinder screw	Zylinderschraube	Vis à tête cylindrique	M10x45 DIN912		
21	14990008		1	Shackle	Schäkel	Manille	DIN82101		
22	11010017		1	Ball bearing	Kugellager	Roulement à billes	6204 ZR.C3 DIN625		
23	65005499		1	Stator	Wicklung	Stator	230/3/50		
23	65005500		1	Stator	Wicklung	Stator	400/3/50		
23	65005501		1	Stator	Wicklung	Stator	500/3/50		
23	65005496		1	Stator	Wicklung	Stator	400/3/50PTC		
26	65015163		1	Rotor with shaft	Rotor mit Welle	Rotor avec arbre	1.4021	S10/4,S13/4	
27	11130003	AB	1	Seal ring	Dichtung	Rondelle joint	Ø6x10 DIN7603		
28	11210253		1	Cylinder screw	Zylinderschraube	Vis à tête cylindrique	M6x10 DIN912		
29	11490020	AB	1	Seal washer	Verschlußscheibe	Rondelle joint	DIN470		
30	11070007	A	1	Circlip	Sicherungsring	Circlip	Ø25x1.2 DIN471		
31	11210251		3	Cylinder screw	Zylinderschraube	Vis à tête cylindrique	M10x50 DIN912		
32	31155024		1	Bearing lid	Lager deckel	Couvercle palier	GG25	Std./EX EECS	
32	31155036		1	Bearing lid	Lager deckel	Couvercle palier	GG25	Std.Euro	
33	11090009	AB	1	Lip seal	Wellendichtung	Joint à levres	Ø20x52x10 DIN3760		
34	11030046		0.56	Oil	Öl	Huile			
35	35075343		1	Impeller	Lauftrad	Roue	Ø196.6 GG25	0841.1 S-Series	
36	11070005	AB	1	Circlip	Sicherungsring	Circlip	Ø20x1.2 DIN471		
37	31055084		1	Volute	Kreiselkammer	Corps de pompe	GG25	0831/0841 S-Series	
38	11630003		1	Impeller key	Paßfeder	Clavette	6x6x25 DIN6885		
39	31065044		1	Bottom plate	Bodenplatte	Plaque de base	GG25 (FHA+Std.)	0841 S-Series	
44	11650001	AB	1	Locking Washer	Klemmscheibe	Rondelle-frein	M8 PVC/NITR		
45	11260100		1	Lens Head Screw	Flachkopfschraube	Vis à tête plate	M8x10 DIN85		
46	11260104		1	Hexagonal screw	Sechskantschraube	Vis hexagonal	M5x10 DIN85 GV		
47	11500003		1	Locking washer	Sicherungsscheibe	Toile-frein	A5.1 DIN6797		
48	12180014		1	Cable shoe	Flachsteckhülse	Cosse-câble	Ø1.5-2.5mm		
49	43070326		1	Seal for DI	Dichtung für DI	Joint pour DI			
50	12180144		1	Round plug	Rundstecker	Fiche ronde	Ø4mm		
51	42130403		1	DI-probe	DI-electrode	Sonde DI			
52	41425032		1	Bracket	Haltewinkel	Butée			
53	11260091		1	Lens Head Screw	Flachkopfschraube	Vis à tête plate	M5x12 DIN85		
55	42135000		1	DI-probe	DI-electrode	Sonde DI			
56	11080027		1	Circlip	Sicherungsscheibe	Circlip	Ø7x0.9mm DIN6799		
57	11060014		1	Support washer	Tragscheibe	Rondelle	Ø42x52x2.5 DIN988		
58	11100066		1	Mechanical seal	Gleitringdichtung	Garniture mecanique	Ø20mm		
59	11070006	AB	1	Circlip	Sicherungsring	Circlip	Ø20x1.2 DIN471		
60	12170032		1	Earth Clamp ID6					
61	11260099		1	Screw Slot HD			M6X12 DIN85		
62	11530016		1	Spring Washer			6mm DIN7980		
68	42030500		4	Adjusting screw	Stellschraube	Vis de réglage	M18x30	Brass	
70	11560018		1	Screwed plug	Verschlußschraube	Bouchon filete	R1/2" DIN910		

SULZER CONFIDENTIAL

SPARE PARTS LIST/ERSATZTEILLISTE/LISTE DE PIÈCES DE RECHANGE							SULZER		
AS 0841 S22/4 D 50Hz Std. & EX Valid from Serial Number: 100 -							<i>Issue of</i> : 25/01/21 <i>Supersedes Issue</i> : <i>Issue No.</i> : ,03 <i>Drawing ref. Nr.</i> : AN-S.12.281		
							<i>Pos. No.</i>	<i>Part No.</i>	<i>Kit</i>
71	11130013		2	Fibrewasher	Fiberdichtung	Joint fibre	Ø21x26x1		
72	11490027		1	Lock Washer			M10 DIN25201		
	61195072	A	1	Seal kit	Dichtungssatz	Jeu de joint complet			



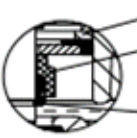
DI (OPTIONAL)
Std. Euro/USA



OIL SCREW



2nd MECHANICAL SEAL



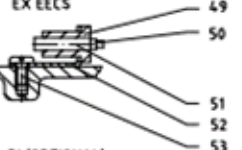
EARTH CONNECTION



EXTERNAL
EARTH CONNECTION



DI (OPTIONAL)
EX EECS



DI (OPTIONAL)
FM



	SPARE PARTS LIST / ERSATZTEILLISTE	AN-S 01281-01
	LIST DE PIÈCES DE RECHANGE	
	AFP 0841 S22/4 50Hz AFP 0841 S25/4 60Hz	
	CAP CODE 01: 480501 DATE: 01.10.2001 Version of drawing received: 01.10.2001 Drawing no./number: 01.10.2001 Product Code: 01	