

Discharge connection XJ, XJC, XJS



Flexibility with discharge connections

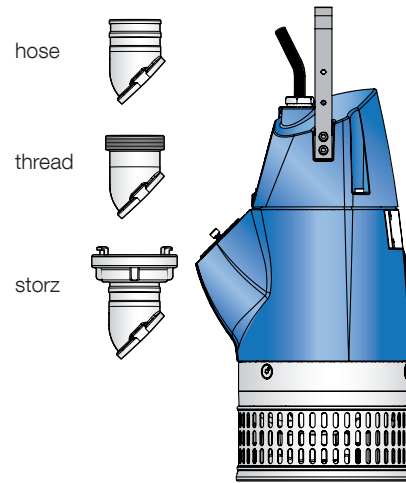
Discharge connections are available in various sizes, and can be supplied with connection hose, BSP-thread (G), NPT-thread or storz quick-coupling.

All discharge connections can be fitted in horizontal or vertical direction (central discharge pumps only vertical).

All discharge connections are sealed efficiently with an o-ring between the discharge connection and the main outer casing. O-ring and screws are delivered together with the pump.

PLEASE NOTE!

Lubrication of threaded spigots is required before assembly of storz or other quick couplings.



Discharge connections

P/N XJ/XJS 25 - XJ/XJS 40 XJS 50 - XJS 110	Size	P/N XJ 50 - XJ 110 XJC 50 - XJC 110	Size
61170137	2 ½"	00833077	3"
61170138	3"	00833081	4"
61170133	4"	00833085	6"
32820519	2 ½" G/BSP	00833079	3" G/BSP
32820517	3" G/BSP	00833083	4" G/BSP
32820518	4" G/BSP	00833086	6" G/BSP
00830489	2 ½" NPT	00833111	3" NPT
32820520	3" NPT	00833112	4" NPT
32820524	4" NPT	00833087	6" NPT
00830344	3" Storz	00863351	3" Storz
00830345	4" Storz	00863352	4" Storz
00830426	O-ring	00863353	6" Storz
		11121011	O-ring

Storz - with hose connection

P/N	Size
15000005	2" / C
15000006	3" / B
15000017	4" / A
15000016	6" / F



Storz - with internal thread

P/N	Size
15000009	2" / C
15000024	3" / B
15000022	4" / A
15000027	6" / F



Locking key for Storz

P/N	Size
15010020	2"/C, 3"/B, 4"/A, 6"/F
00830256	F 6"

2 pcs locking key is needed