

SULZER

Massblatt PIRANHA PE30/2 Trockeninstallation

No: AN-M.04.041 -02

Dimension sheet DRY-WELL Installation

Drawn: 18/04/11 D.Whelan

Dimensioni Installazione a secco

Issue Date: 09/05/2013

Hoja de dimensiones instalación en seco

Änderungen vorbehalten

Plan d'encombrement Installation à sec

Technical changes reserved

Con riserva di modifiche

Con reserva de modificaciones

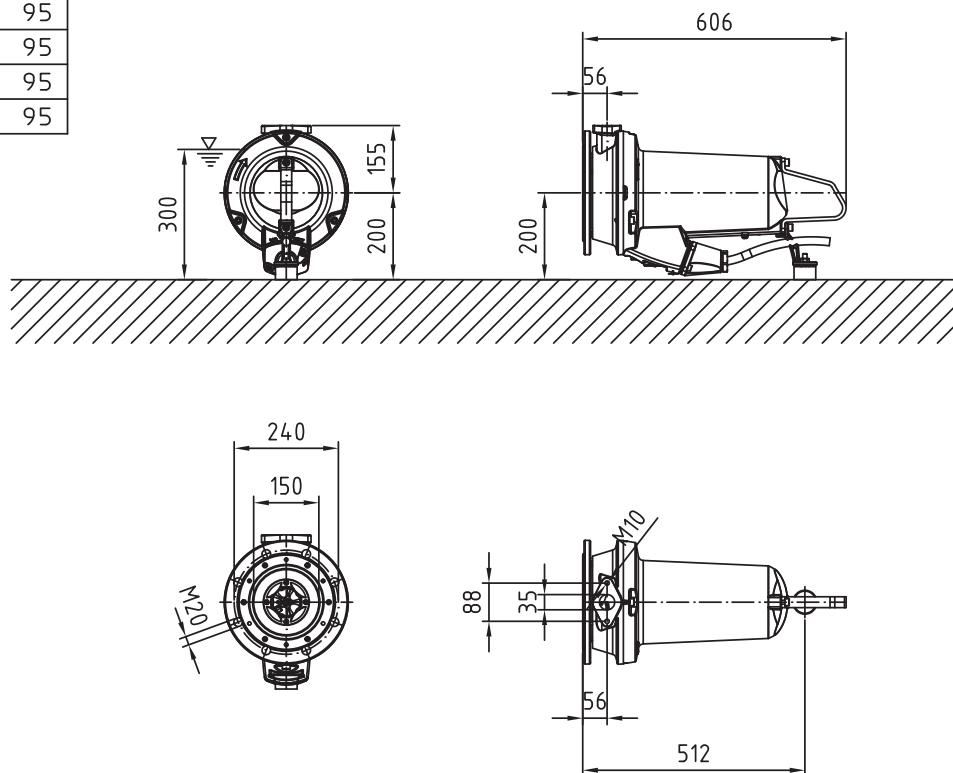
Sous réserve de modification

50 Hz**S.I.**

Typ Type Tipo	Gewicht Weight Poids Peso (kg)
PE 30/2	95

60 Hz

Typ Type Tipo	Gewicht Weight Poids Peso (kg)
PE 25/2W	95
PE 28/2	95
PE 35/2	95
PE 35/2W	95
PE 45/2	95
PE 45/2W	95



Gewicht: Beinhaltet Pumpe ,horizontal Stützen und Kabel (50 Hz = 10 m; 60 Hz = 15 m)

Weight: includes pump, horizontal supports and cable (50 Hz = 10 m; 60 Hz = 15 m)

Peso: include pompa, supporti orizzontali e cavo (50 Hz = 10 m; 60 Hz = 15 m)

Peso: Incluye bomba, soporte horizontal y cable (50 Hz = 10 m; 60 Hz = 15 m)

Poids : incluant la pompe, les supports horizontaux et le cable (50 Hz = 10 m; 60 Hz = 15 m)

Guss-Allgemeintoleranzen nach DIN1680 - GTB16

General tolerances for castings in acc. to DIN1680-GTB16

Tolleranze generali delle fusioni secondo DIN1680-GTB16

Tolerancias generales para la fundicion seg. de DIN1680-GTB16

Tolérance générale de la fonderie selon DIN1680-GTB16

SULZER

Massblatt PIRANHA PE30/2 Trockeninstallation

No: AN-M.04.041 -02

Dimension sheet DRY-WELL Installation

Drawn: 18/04/11 D.Whelan

Dimensioni Installazione a secco

Issue Date: 09/05/2013

Hoja de dimensiones instalación en seco

Änderungen vorbehalten

Technical changes reserved

Plan d'encombrement Installation à sec

Con riserva di modifiche

Con reserva de modificaciones

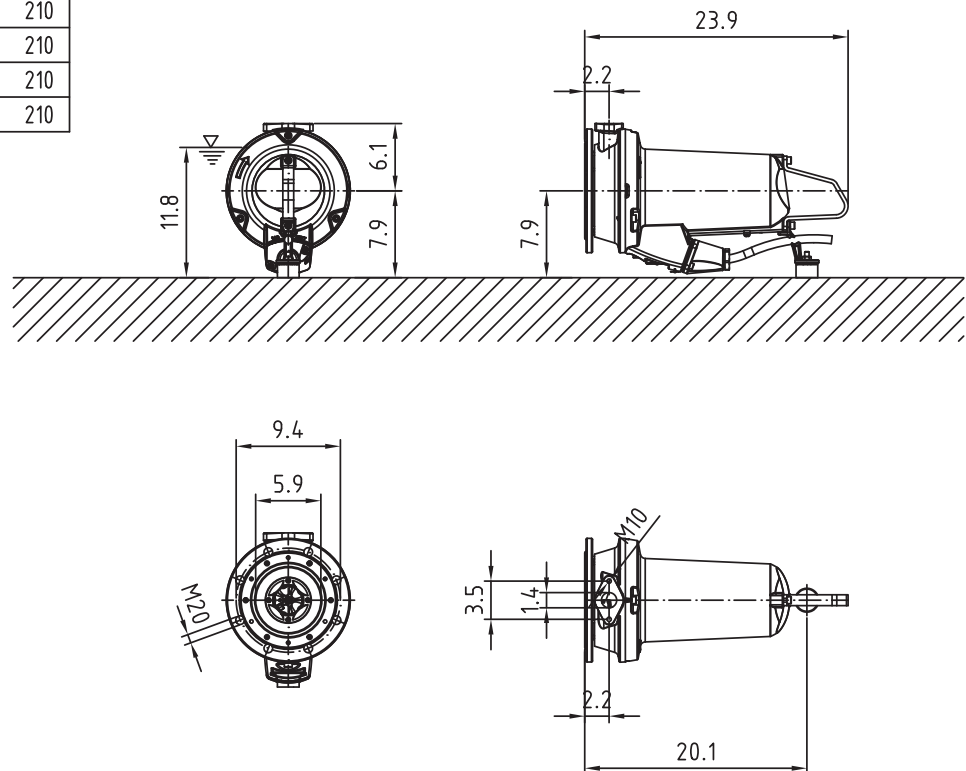
Sous réserve de modification

50 Hz**U.S.**

Typ Type Tipo	Gewicht Weight Poids Peso (lbs)
PE 30/2	210

60 Hz

Typ Type Tipo	Gewicht Weight Poids Peso (lbs)
PE 25/2W	210
PE 28/2	210
PE 35/2	210
PE 35/2W	210
PE 45/2	210
PE 45/2W	210



Gewicht: Beinhaltet Pumpe ,horizontal Stützen und Kabel (50 Hz = 10 m; 60 Hz = 15 m)

Weight: includes pump, horizontal supports and cable (50 Hz = 10 m; 60 Hz = 15 m)

Peso: include pompa, supporti orizzontali e cavo (50 Hz = 10 m; 60 Hz = 15 m)

Peso: Incluye bomba, soporte horizontal y cable (50 Hz = 10 m; 60 Hz = 15 m)

Poids : incluant la pompe, les supports horizontaux et le cable (50 Hz = 10 m; 60 Hz = 15 m)

Guss-Allgemeintoleranzen nach DIN1680 - GTB16

General tolerances for castings in acc. to DIN1680-GTB16

Tolleranze generali delle fusioni secondo DIN1680-GTB16

Tolerancias generales para la fundicion seg. de DIN1680-GTB16

Tolérance générale de la fonderie selon DIN1680-GTB16