

**SULZER**

Massblatt AS0830 Transportable

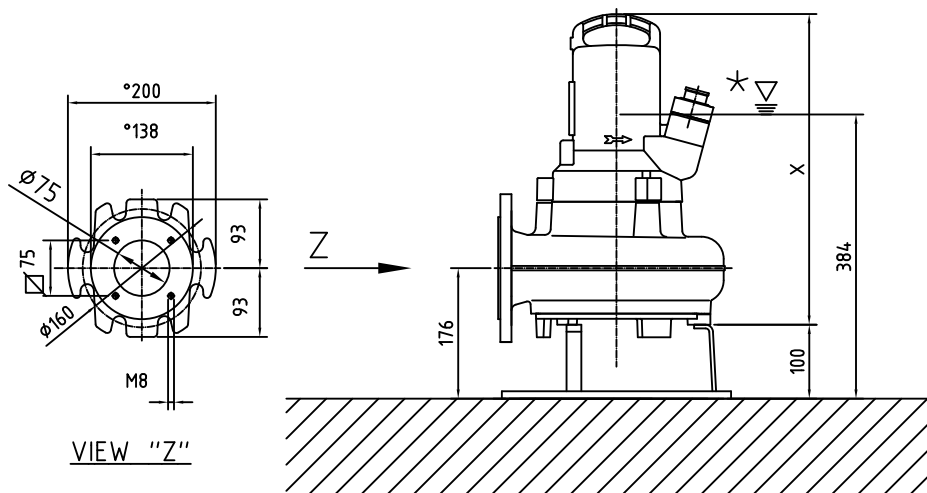
Dimension sheet

Plan d'encombrement

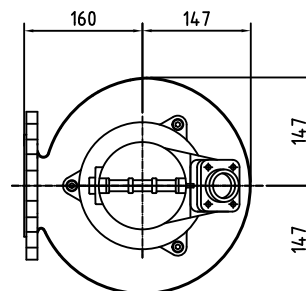
No: AN-M.12.60.02

Drawn: 12.12.02 / C.Quirke

Issue Date: 07.04.05

Änderungen vorbehalten  
Technical changes reserved  
Con riserva di modifiche  
Con reserva de modificaciones  
Sous réserve de modification

★ LOWEST SWITCH OFF POINT FOR AUTOMATIC OPERATION



Type.	Dim "X"
AS0830 S10/4	420
AS0830 S13/4	420
AS0830 S22/4	433
AS0830 S16/4	420
AS0830 S25/4	433