



We know how water works

SPARE PARTS LIST/ERSATZTEILLISTE/LISTE DE PIÈCES DE RECHANGE
**SANIMAT 1001 W (S13/2 W)
SANIMAT 1001 D/HD (S12/2, S17/2 D)**

Valid from Serial Number: - (Version 2003)

Page :
Issue of : 28/10/2011
Supersedes Issue :
Issue No. : 03,04,05
Drawing ref. Nr. : ANS18013-02

| Pos. No. | Part No. | Kit | Qty | Description | Benennung | Designation | Dimensions /Din | Comments | Price |
|----------|----------|-----|-----|---------------------|-------------------|------------------------|-----------------------|--|-------|
| 1 | 11220031 | | 3 | Cylinder screw | Zylinderschraube | Vis à tête cylindrique | M8x16 DIN6912 | 1.4401 | |
| 2 | 44270030 | | 3 | Vibration damper | Vibrationsdämpfer | Amortisseur de vib | | | |
| 3 | 21060039 | | 1 | Bottom plate | Bodenplatte | Plaque de base | GG25 | | |
| 4 | 42885000 | | 1 | Tank | Behälter | Reservoir | | | |
| 5 | 11520017 | | 6 | Spring washer | Federring | Rondelle | A8 1.4401 DIN127 | | |
| 6 | 11400083 | | 12 | Hexagonal nut | Sechskantmutter | Ecrou hexagonal | M8 DIN934 | | |
| 7 | 11350054 | | 6 | Stud | Stiftschraube | Goujon | M8x50 | | |
| 8 | 43070611 | | 1 | Seal ring | Dichtung | Rondelle joint | | | |
| 9 | 43070210 | | 1 | Rubber flap | Dichtung RSK | Rondelle joint | | | |
| 10 | 11200283 | | 2 | Hexagonal screw | Sechskantschraube | Vis hexagonal | M8x40 DIN931 | 1.4401 | |
| 11 | 06085582 | | 4 | Motor complete | Motor komplett | Moteur | 230/1/50 | S12/2 Use '06087045 | |
| 11 | 06087045 | | 1 | Motor complete | Motor komplett | Moteur | 230/1/50 | S13/2 w/klixon (4m cable) with capacitor 12810028 | |
| 11 | 06085591 | | 1 | Pump | Pumpe | Pompe | 230/3/50 (4m cable) | S12/2-Imp. Ø110mm | |
| 11 | 06085242 | | 1 | Pump | Pumpe | Pompe | 230/3/50 (4m cable) | S12/2-Imp. Ø118mm | |
| 11 | 06085581 | | 1 | Pump | Pumpe | Pompe | 400/3/50 (4m cable) | S12/2-Imp. Ø110mm | |
| 11 | 06085240 | | 1 | Pump | Pumpe | Pompe | 400/3/50 (4m cable) | S12/2-Imp. Ø118mm | |
| 11 | 06085241 | | 1 | Pump | Pumpe | Pompe | 400/3/50 HD(4m cable) | S17/2-Imp. Ø128mm | |
| 11 | 06085243 | | 1 | Pump | Pumpe | Pompe | 230/3/50 HD(4m cable) | S17/2-Imp. Ø128mm | |
| 12 | 11520017 | | 2 | Square washer | Vierkantscheibe | Rondelle carré | A8 DIN127 | | |
| 13 | 15070007 | | 2 | Hose clamp | Schlauchschele | Collier | Ø25-40x9mm | HX Galv | |
| 16 | 43070198 | | 1 | Seal | Dichtung | Joint | 350x190x6 | EPDM | |
| 19 | 32485004 | | 1 | Discharge connector | Scheibenkupplung | Accouplement rigide | | With DN80 flange | |
| 20 | 11200211 | | 10 | Hexagonal screw | Sechskantschraube | Vis hexagonal | M8x25 DIN933 | | |
| 21 | 11520017 | | 10 | Spring washer | Federring | Rondelle | A8 1.4401 DIN127 | | |
| 22 | 61500518 | | 1 | Pressure pipe | Staurohr | Pressostat | | | |
| 23 | 15060109 | | 0.5 | Hose pipe | Schlauchleitung | Conduite en tuyau | | | |
| 24 | 42480008 | | 1 | Lid | Deckel | Couvercle | | | |
| 25 | 11125009 | | 1 | O-ring | O-ring | Joint torique | Ø10x150 EPDM | | |
| 26 | 11150002 | | 2 | Seal | Dichtung | Joint | Ø46x40x20mm | | |
| 27 | 42850004 | | 1 | Blocking cap | Verschlußstopfen | Capot | | | |
| 28 | 11200211 | | 4 | Hexagonal screw | Sechskantschraube | Vis hexagonal | M8x25 DIN933 | | |
| 29 | 11520017 | | 4 | Spring washer | Federring | Rondelle | A8 1.4401 DIN127 | | |
| 30 | 32480119 | | 2 | Cover | Deckel | Couvercle | | | |
| 31 | 43070199 | | 2 | Seal | Dichtung | Joint | 142x96x6 | EPDM50 | |
| 37 | 62165058 | | 1 | Control box | Schaltkasten | Boite commande | 230/1/50 | LSC-M (With klixon) | |
| 37 | 62160005 | | 1 | Control box | Schaltkasten | Boite commande | 220-230/3/50 | SMG (1 pump) VFD. Operates 3 phase (220-230/3/50) pumps with single phase power supply | |
| 37 | 62165029 | | 1 | Control box | Schaltkasten | Boite commande | 220-230/3/50 | SMG (1 pump) | |
| 37 | 62165032 | | 4 | Control box | Schaltkasten | Boite commande | 400/3/50 | LSC-M | |
| 37 | 62165078 | | 1 | Control box | Schaltkasten | Boite commande | 400/3/50 | BPC | |



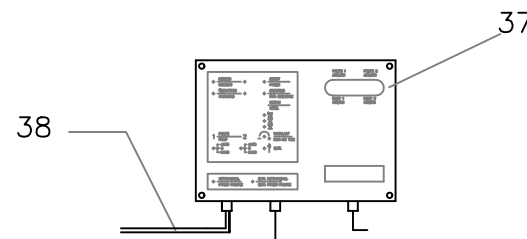
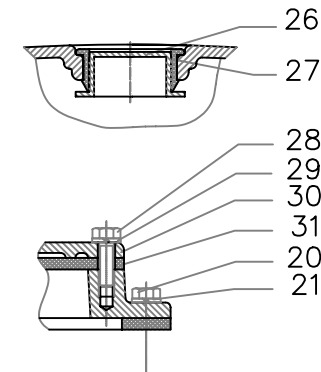
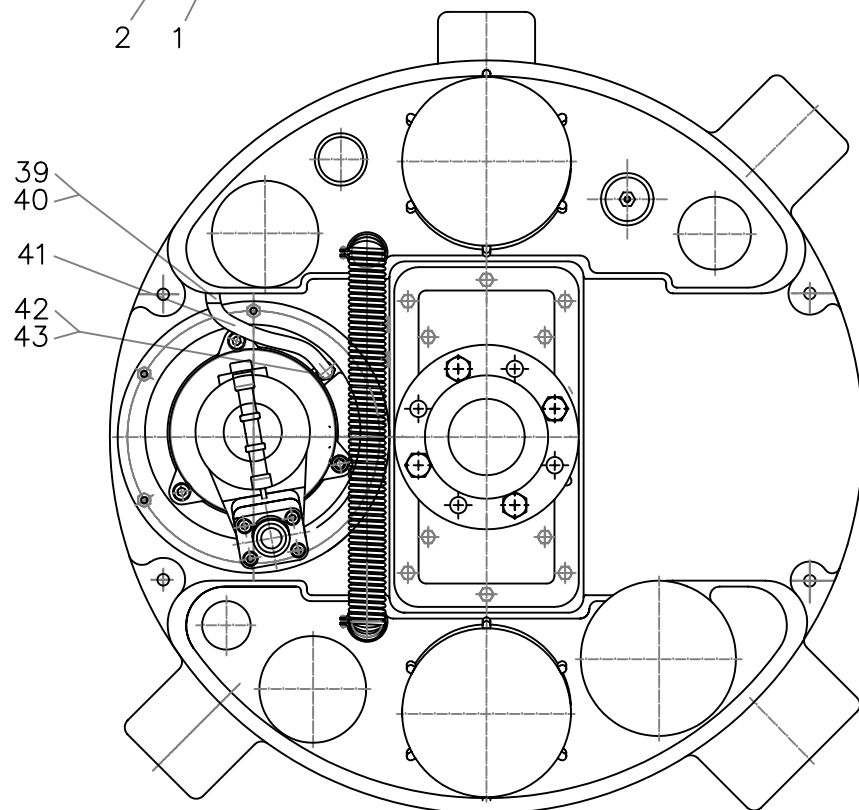
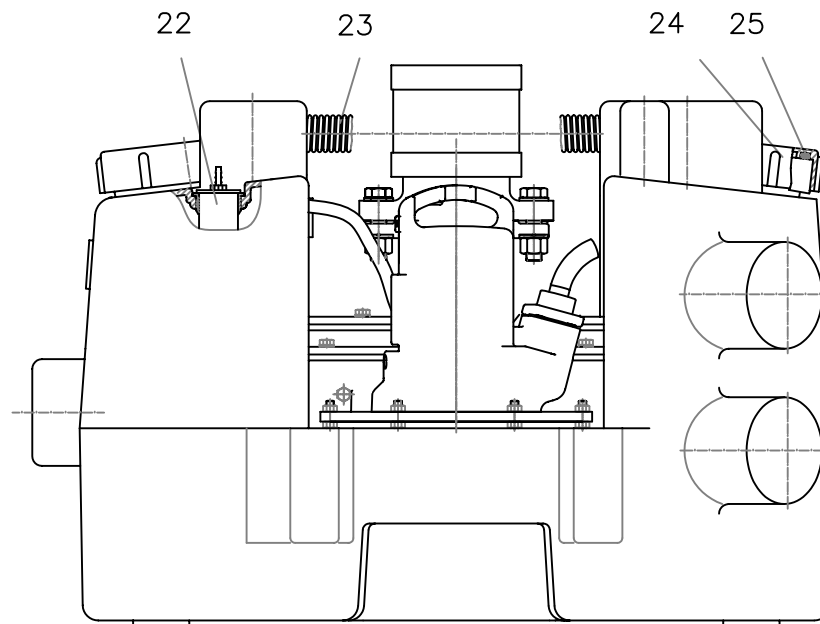
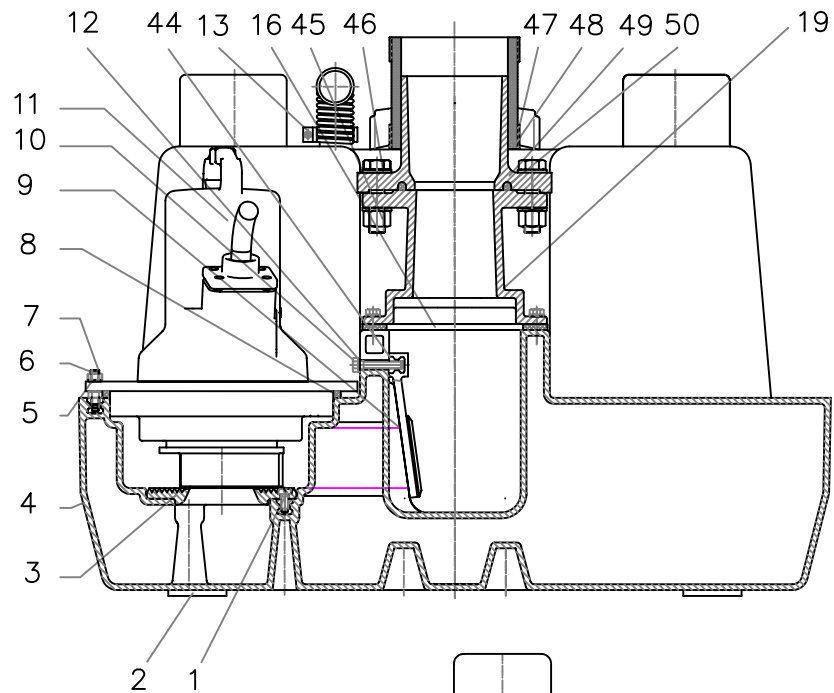
We know how water works

SPARE PARTS LIST/ERSATZTEILLISTE/LISTE DE PIÈCES DE RECHANGE
**SANIMAT 1001 W (S13/2 W)
SANIMAT 1001 D/HD (S12/2, S17/2 D)**

Valid from Serial Number: - (Version 2003)

Page :
 Issue of : 28/10/2011
 Supersedes Issue :
 Issue No. : 03,04,05
 Drawing ref. Nr. : ANS18013-02

| Pos. No. | Part No. | Kit | Qty | Description | Benennung | Designation | Dimensions /Din | Comments | Price |
|-----------------|-----------------|------------|------------|--------------------|-------------------|--------------------|------------------------|-----------------|--------------|
| 38 | 15060002 | | 3.3 | Hose pipe | Schlauchleitung | Conduite en tuyau | ID5x1.5mm | PVC Clear | |
| 39 | 15020077 | | 1 | Pipe Adaptor | Doppelnippel | Adaptateur | R1/4" 12mm SPIGOT | Plastic | |
| 40 | 11570005 | | 1 | Hose clamp | Schlauchschelle | Collier | 13-15 GALV | | |
| 41 | 15060129 | | 1 | Hose pipe | Schlauchleitung | Conduite en tuyau | ID12mm | PVC REINFORCED | |
| 42 | 15020077 | | 1 | Pipe Adaptor | Doppelnippel | Adaptateur | R1/4" 12mm SPIGOT | Plastic | |
| 43 | 11570005 | | 1 | Hose clamp | Schlauchschelle | Collier | 13-15 GALV | | |
| 44 | 11120234 | | 2 | O-ring | O-ring | Joint torique | Ø7.6x4 DIN3771 | NBR70 | |
| 45 | 14060100 | | 4 | Hex bolt | Sechskantschraube | Vis hexagonal | M16x60 | | |
| 46 | 11470008 | | 8 | Washer | Scheibe | Rondelle | B17 | | |
| 47 | 15070038 | | 2 | Hose clamp | Schlauchschelle | Collier | Ø125-135x25mm | | |
| 48 | 15060116 | | 1 | Hose pipe | Schlauchleitung | Conduite en tuyau | Ø110x8x120mm | Flexible | |
| 49 | 41400593 | | 1 | Flange | Flansch | Bride | DN80 | Plastic | |
| 50 | 11120322 | | 1 | O-ring | O-ring | Joint torique | Ø90x10 DIN3771 | NBR70 | |



SPARE PARTS LIST / ERSATZTEILLISTE
LIST DE PIÉCES DE RECHANGE
SANIMAT 1001

ANS 18.13-02

CAD CODE: G:\DWGS\
DATE/NAME 05.01.94 J.ROSSITER

Product Center: IEM
Technical changes reserved
Zänderungen vorbehalten
Sous réserve de modification