

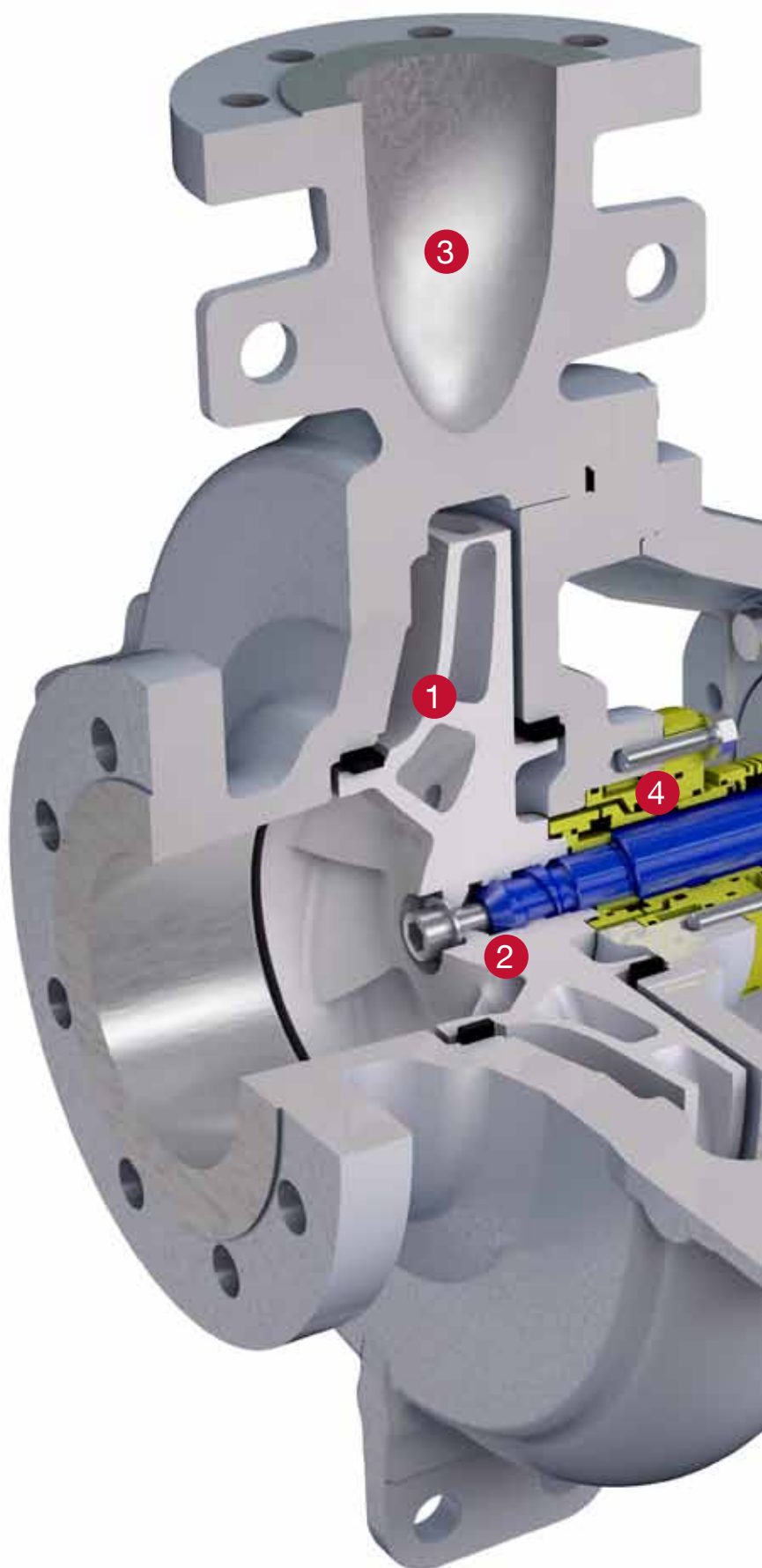
AHLSTAR E Centerline Supported End Suction Single Stage Centrifugal Pumps



Main Applications

The AHLSTAR E range of centerline supported end suction single stage centrifugal pumps is suitable for demanding industrial hot liquid applications in several industries such as oil and gas, hydrocarbon processing, power generation, pulp and paper, general and chemical industry and water to ensure process reliability, high efficiency and low operating costs. The AHLSTAR range has been designed with long experience and deep knowledge to exceed the minimum requirements of the international standard ISO 5199 and to give the excellent pumping performance in demanding industrial applications. The AHLSTAR E range centrifugal pump can be used to pump

- clean
- viscose liquids
- fibrous slurries



Features and Benefits



- 1 Versatile selection of reliable, high efficiency closed, open and specially open impellers**
 - Reduce life cycle costs, especially energy consumption, operation time and downtime costs
- 2 Patented, self-locking reserve rotation safe, non-sensitive to axial loads rotor key impeller mounting**
 - Enables easy and quick assembly and dismantling
 - Helps to minimize maintenance and downtime costs
- 3 Double volute casing in larger pumps**
 - Reduces radial forces and shaft deflection
 - Maximizes the life of the bearings and shaft seals, thereby lowering life cycle costs
- 4 Versatile, reliable, simple design shaft seal options**
 - Ensures easy and quick assembly and dismantling
 - Reduces life cycle costs by minimizing energy, operation, maintenance, and downtime costs
- 5 Heavy duty shaft**
 - Minimizes deflection at stuffing box to less than 0.05 mm/0.002 inches
 - Helps to extend the shaft seal lifetime
 - Reduces unexpected shutdowns and maintenance costs
- 6 Reliable, simplified, heavy duty bearing unit**
 - Lowers the number of unexpected shutdowns and maintenance costs
- 7 Innovative, non-contracting bearing protection isolators with deflectors, lip seals and labyrinths**
 - Prevent lubricant leaks
 - Extend the bearing life
 - Prevent outside contaminants from entering the bearing house
 - Minimize unexpected shutdowns and maintenance costs

AHLSTAR E Centerline Supported End Suction Single Stage Centrifugal Pumps



Oil & Gas



Hydrocarbon Processing Industry



Power Generation



Pulp and Paper



General Industry



Chemical Process Industry

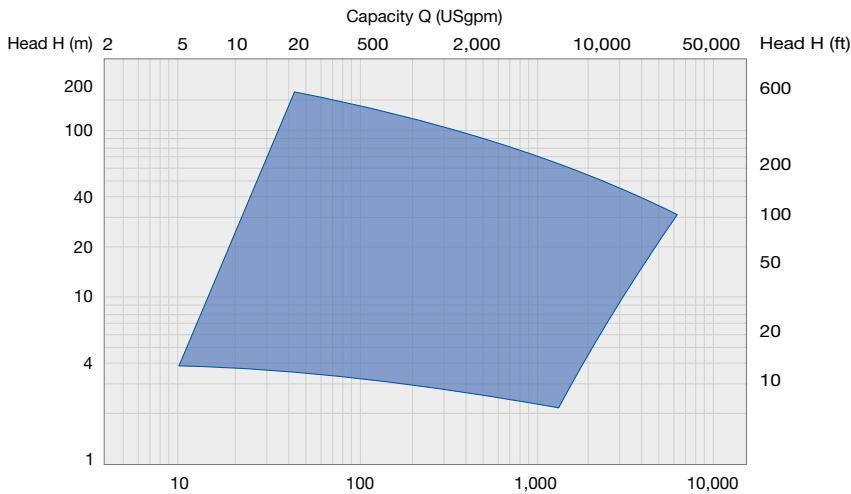


Water

Operating data

| Metric | | Imperial |
|-----------------|---------------------------|-----------------|
| up to 1,500 l/s | Capacities | 24,000 USgpm |
| up to 160 m | Heads | up to 525 feet |
| up to 25 bar | Pressures | up to 360 psi |
| up to 210°C | Temperatures | up to 410°F |
| up to 3,600 rpm | Maximum speed of rotation | up to 3,600 rpm |

Performance range



Materials

| Standard material options | Material | | | |
|---------------------------|----------|------|----------|------|
| Duplex SS | ASTM | A890 | Grade A3 | (41) |
| Duplex SS | ASTM | A890 | Grade 1B | (4L) |
| Duplex SS | ASTM | A890 | Grade 5A | (4T) |

Main Design Features of Installation, Operation and Maintenance

1 Centerline supported casing / base plate design

- Eliminates the misalignments of the coupling in high temperature applications resulting in lower unexpected shut-downs and maintenance

2 Rigid, distortion-free, hot dip galvanized base plate

- Easy to install and grout into the concrete foundation
- Lowers vibration and reduces wear and tear

3 Galvanized riser blocks

- Allow the installation of the next frame size of motor
- Ease the installation and minimize maintenance costs

4 Alignment blocks of stainless steel for the coupling alignment

- Enable fast and easy motor movement thus reducing maintenance costs

5 Guards for the rotating parts are designed according to stringent safety regulations

- Ensures safe and reliable operation

6 Windows on both side of the guards

- Allow safe and easy stroboscope inspection of the coupling during operation

7 Various flexible couplings with spacer

- Provide quick and easy maintenance

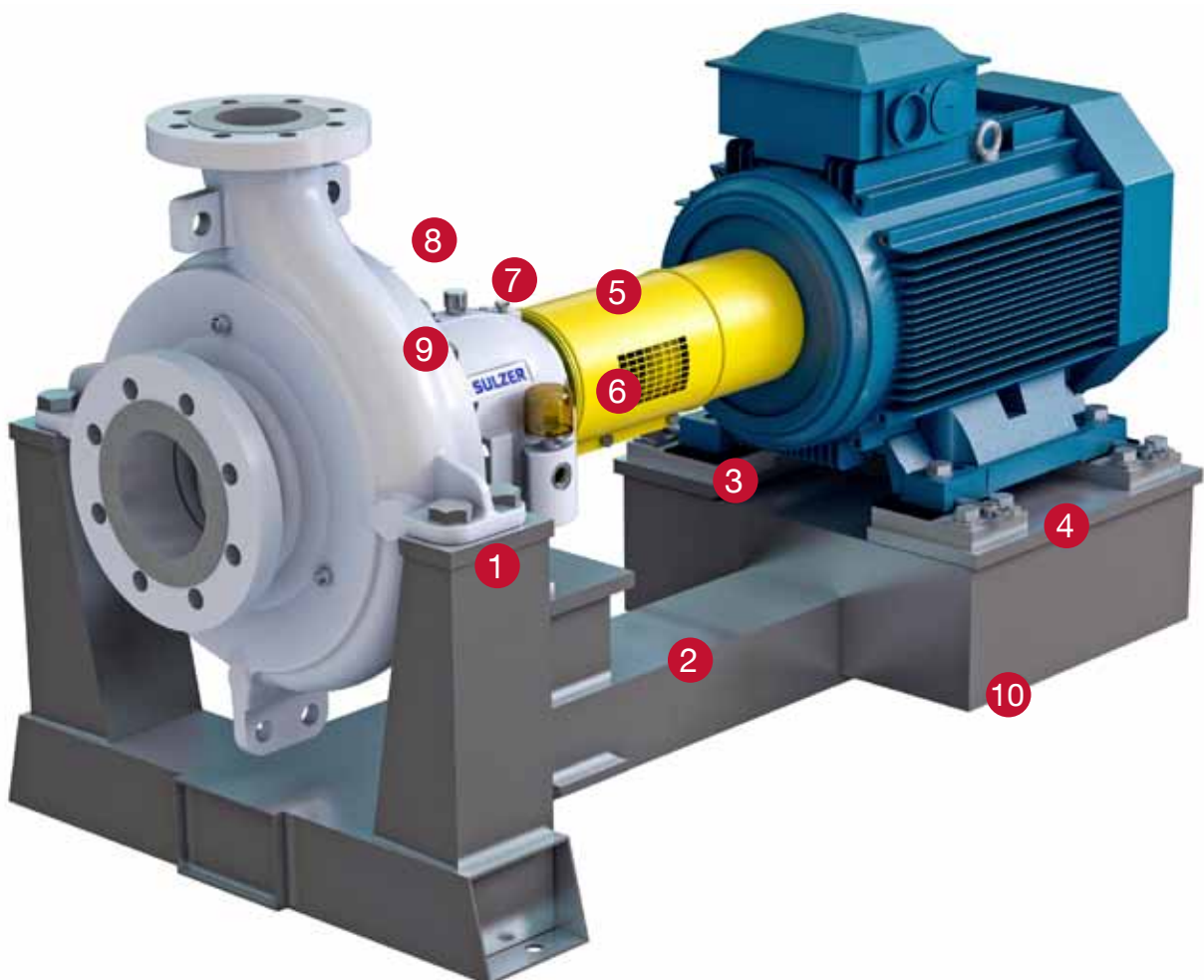
8 Back pull-out design

- Facilitates quick access for servicing

9 Jackscrews

- Enable simple disassembly of the main parts of the unit while minimizing maintenance costs

10 Classic ISO and API standard base plate for applications where standard installation is required





www.sulzer.com

E10164 en (2) 10.2014, Copyright © Sulzer

This brochure is a general presentation. It does not provide any warranty or guarantee of any kind. Please, contact us for a description of the warranties and guarantees offered with our products. Directions for use and safety will be given separately. All information herein is subject to change without notice.