

SULZER

Massblatt XFP 80C-VX Trockeninstallation

Dimension sheet DRY-WELL Installation

Dimensioni Installazione a secco

Hoja de dimensiones instalacion en seco

Plan d'encombrement Installation a sec

No: AN-M.22.612 - 04

Drawn: 11.08.10 / D.Whegan

Issue Date: 09/05/2013

Änderungen vorbehalten

Technical changes reserved

Con riserva di modifiche

Con reserva de modificaciones

Sous réserve de modification

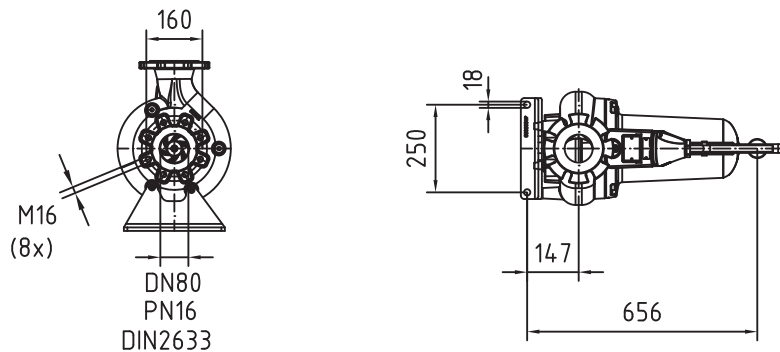
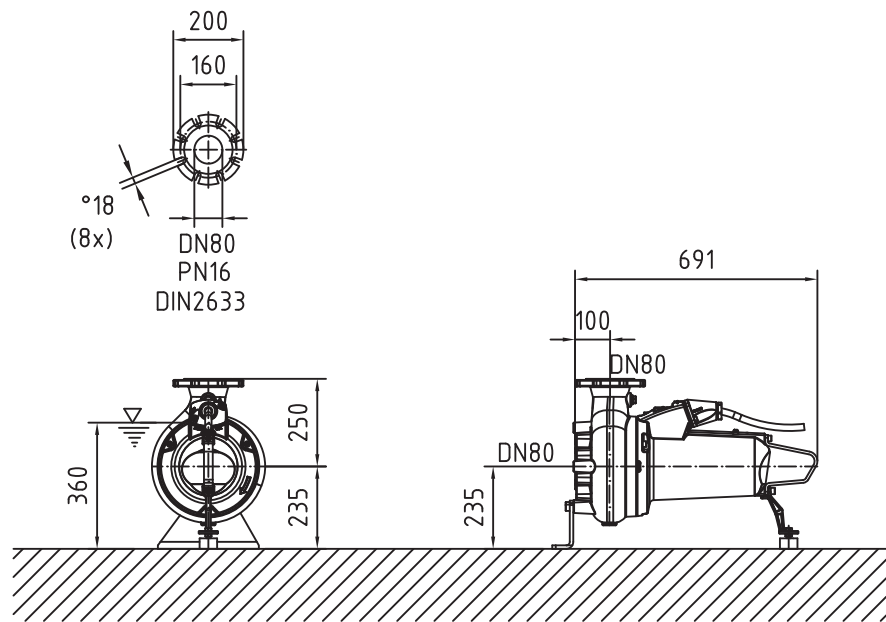
50 Hz

S.I.

Typ Type Tipo	Gewicht Weight Poids Peso (kg)
PE 13/6	104
PE 22/4	114
PE 29/4	114

60 Hz

Typ Type Tipo	Gewicht Weight Poids Peso (kg)
PE 18/4W	114
PE 22/4	114
PE 28/4W	114
PE 35/4	114



Gewicht: Beinhaltet Pumpe ,horizontal Stützen und Kabel (50 Hz = 10 m; 60 Hz = 15 m)

Weight: includes pump, horizontal supports and cable (50 Hz = 10 m; 60 Hz = 15 m)

Peso: include pompa, supporti orizzontali e cavo (50 Hz = 10 m; 60 Hz = 15 m)

Peso: Incluye bomba, soporte horizontal y cable (50 Hz = 10 m; 60 Hz = 15 m)

Poids : incluant la pompe, les supports horizontaux et le cable (50 Hz = 10 m; 60 Hz = 15 m)

Guss-Allgemeintoleranzen nach DIN1680 - GTB16

General tolerances for castings in acc. to DIN1680-GTB16

Tolleranze generali delle fusioni secondo DIN1680-GTB16

Tolerancias generales para la fundicion seg. de DIN1680-GTB16

Tolérance générale de la fonderie selon DIN1680-GTB16

SULZER

Massblatt XFP 80C-VX Trockeninstallation

Dimension sheet DRY-WELL Installation

Dimensioni Installazione a secco

Hoja de dimensiones instalacion en seco

Plan d'encombrement Installation a sec

No: AN-M.22.612 - 04

Drawn: 11.08.10 / D.Whegan

Issue Date: 09/05/2013

Änderungen vorbehalten

Technical changes reserved

Con riserva di modifiche

Con reserva de modificaciones

Sous réserve de modification

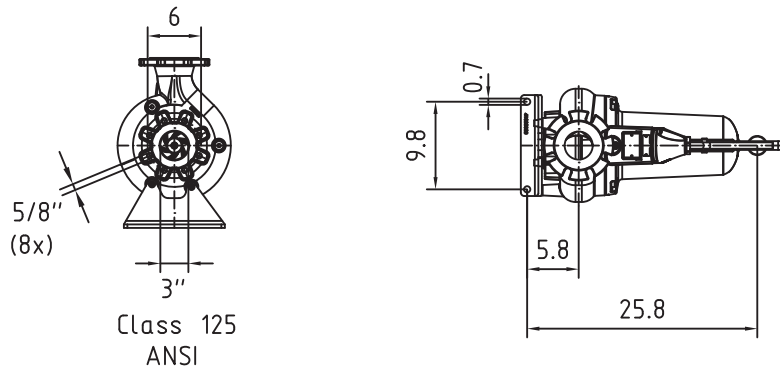
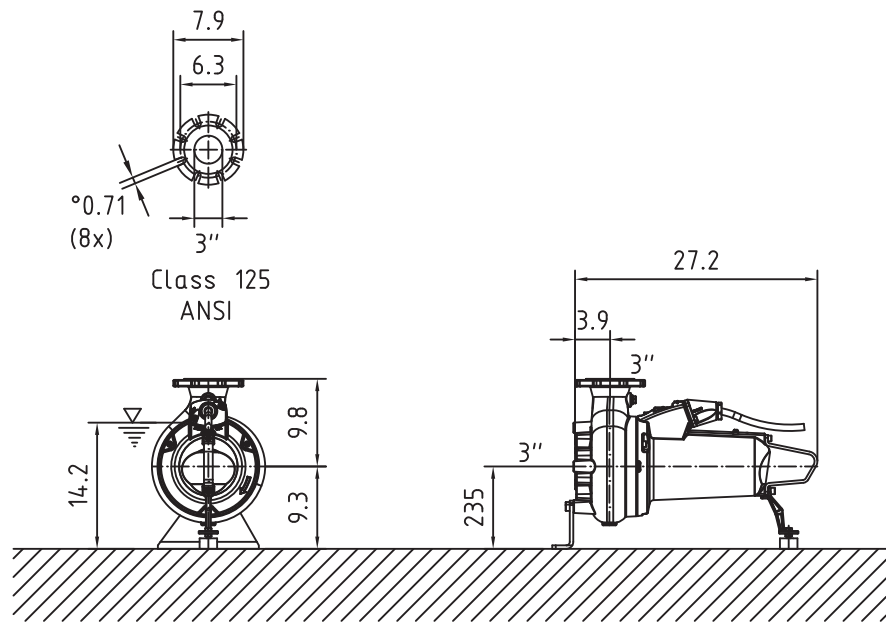
50 Hz

Typ Type Tipo	Gewicht Weight Poids Peso (lbs)
PE 13/6	230
PE 22/4	252
PE 29/4	252

U.S.

60 Hz

Typ Type Tipo	Gewicht Weight Poids Peso (lbs)
PE 18/4W	252
PE 22/4	252
PE 28/4W	252
PE 35/4	252



Gewicht: Beinhaltet Pumpe ,horizontal Stützen und Kabel (50 Hz = 10 m; 60 Hz = 15 m)

Weight: includes pump, horizontal supports and cable (50 Hz = 10 m; 60 Hz = 15 m)

Peso: include pompa, supporti orizzontali e cavo (50 Hz = 10 m; 60 Hz = 15 m)

Peso: Incluye bomba, soporte horizontal y cable (50 Hz = 10 m; 60 Hz = 15 m)

Poids : incluant la pompe, les supports horizontaux et le cable (50 Hz = 10 m; 60 Hz = 15 m)

Guss-Allgemeintoleranzen nach DIN1680 - GTB16

General tolerances for castings in acc. to DIN1680-GTB16

Tolleranze generali delle fusioni secondo DIN1680-GTB16

Tolerancias generales para la fundicion seg. de DIN1680-GTB16

Tolérance générale de la fonderie selon DIN1680-GTB16