

Light Drainage Pump Type ABS IP 900

The IP 900 is a high-grade stainless steel pump for aggressive media. Vortex hydraulics with 30 mm free passage make it particularly suitable for the pumping of fluids containing gaseous or abrasive particles.

Construction

- Specially designed for aggressive media using high-grade stainless steel (AISI 316), Viton seals and PVC cable.
- Discharge outlet with G 2" internal thread.
- Watertight, fully flood-proof, high-grade stainless steel motor housing.
- Dynamically balanced 2-pole motor with high-grade stainless steel shaft 1.4401 (AISI 316).
- Sealing on the motor side is by means of a silicon carbide mechanical seal.
- The maximum allowable medium temperature is 40 °C; or up to 60 °C for intermittent usage (max 5 minutes).
- Hydraulic section with vortex impeller (free solids passage 30 mm).
- A version with float switch type ABS KS is available for automatic operation.
- Choice of free-standing or pedestal mounting for easy installation.

Applications

The combination of high-grade stainless steel 1.4401 (AISI 316), static seals of Viton, and mechanical seal of silicon carbide; plus other features, makes this the ideal pump for chemically contaminated wastewater, industrial effluent, and for use in agriculture.

- Pumping of aggressive media.
- Pumping of clear and rain water.
- For blockage-free pumping of liquids which have a high proportion of solid or fibrous matter present.
- Dewatering of buildings and sites.
- Emptying or filling of containers.
- Suitable for septic tank run-off, for the emptying of flooded cellars, and for drainage.



Motor

Water pressure sealed, squirrel cage 2-pole induction motor, with double shaft seals. Thermal sensors in the stator to switch off the pump in the case of overheating and switch on automatically after cooling down.

Insulation: Class F (155 °C)

Protection type: IP68

Materials

Description	Material
Motor housing, volute, rotor shaft, impeller, fasteners	Stainless steel 1.4401 (AISI 316)
Mechanical seal	Silicon carbide
Other seals	Viton
Motor cable	PVC
Float cable	PVC
Float housing	Polypropylene

The suitability of the materials in the pump, for the particular application, is the responsibility of the user.

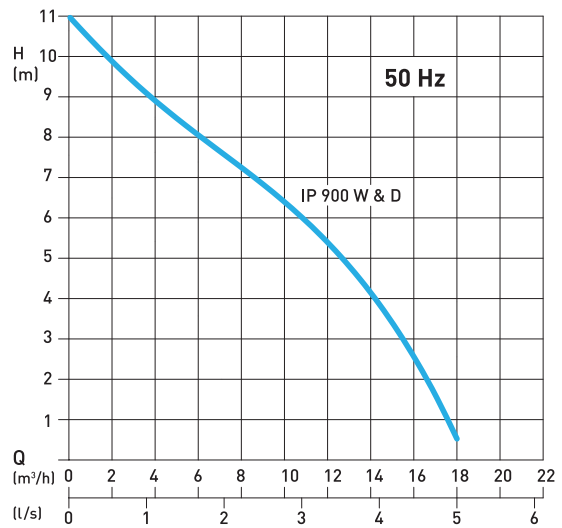
Technical data

IP 900	D	W
Discharge connection internal thread	G 2"	G 2"
Solids size [mm]	30	30
Motor power (kW) *	P ₁ = 1.4 P ₂ = 1.1	P ₁ = 1.5 P ₂ = 1.1
Speed (r/min)	2900	2900
Rated voltage (V)	400 3~	220-240 1~
Rated current (A)	2.4	6.7
Cable type [H05V V-F] **	4G1.0	3G1.0
Cable length (m)	10	10
Weight (kg)	12	12

* P₁ = Power taken from mains. P₂ = Power at motor shaft.

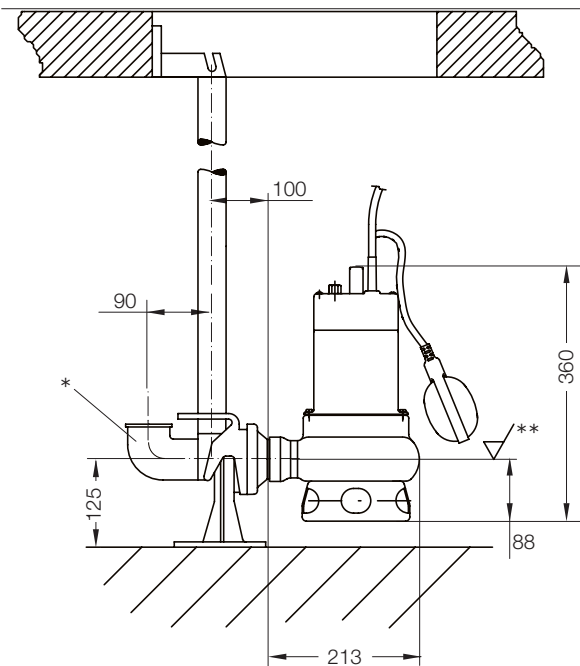
** Single phase with Schuko plug as standard, three phase without plug, and with free cable ends.

Performance curve



H = Total Head. Q = Discharge Volume. Curves to ISO 9906.

Dimensions (mm)



* Elbow supplied by customer.

** Lowest switch-off level (lowest switch-on level is at least 100 mm higher).

Accessories

Description	Size	Part no.
Pedestal G 2" cast iron EN-GJL-250; without bend		62320560
Guide tube 1¼" galvanized steel	1 m 2 m 3 m 4 m 5 m	31380007 31380008 31380009 31380010 31380011
Non-return ball valve cast iron EN-GJL-250	G 2"	61400527
Gate valve EN-GJL-250 including hand wheel, one set of bolts and one gasket	G 2"	14040007
Control unit BPC control cabinet (single phase) BPC control cabinet (three phase)		62165097 62165100

sulzer.com

IP 900 50 Hz en 02.2024, Copyright © Sulzer Ltd 2024

This data sheet is a general product presentation. It does not provide a warranty or guarantee of any kind. Please contact us for a description of the warranties and guarantees offered with our products. Directions for use and safety will be given separately. All information herein is subject to change without notice.