

SULZER

Massblatt XFP 150G-CP Nassinstallation

Dimension sheet WET-WELL Installation

Dimensioni Installazione sommersa

Hoja de dimensiones instalación sumergida

Plan d'encombrement Installation noyee

No: AN-M.22.678 - 02

Drawn: 27/06/11 D.Whelan

Issue Date: 09/05/2013

Änderungen vorbehalten

Technical changes reserved

Con riserva di modifiche

Con reserva de modificaciones

Sous réserve de modification

50 Hz

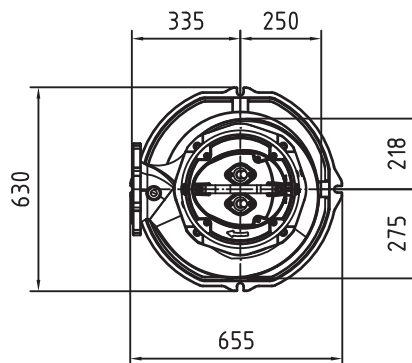
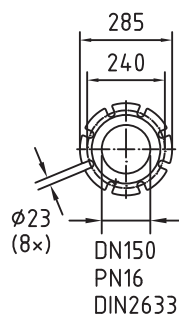
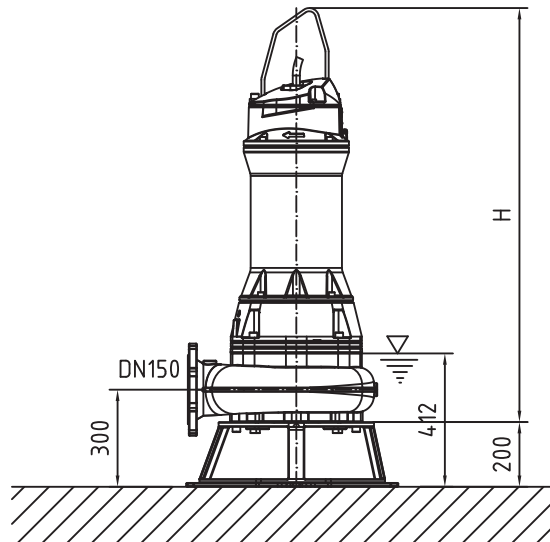
Typ Type Tipo	Gewicht Weight Poids N.C.J. (kg)	Gewicht Weight Poids W.C.J. (kg)	Height H (mm)
PE 110/4	351	406	1297

S.I.**60 Hz**

Typ Type Tipo	Gewicht Weight Poids N.C.J. (kg)	Gewicht Weight Poids W.C.J. (kg)	Height H (mm)
PE 90/6	371	426	1297

N.C.J. = No Cooling Jacket

W.C.J. = With Cooling Jacket



Gewicht: Beinhaltet Pumpe, Bodenstutzgestell und Kabel (50Hz = 10m; 60Hz = 15m)
 Weight: includes pump, skirtbase and cable (50Hz = 10m; 60Hz = 15m)
 Peso: Incluye bomba, base soporte y cable (50Hz = 10m; 60Hz = 15m)
 Peso: include: pompa, base d'appoggio e cavo (50Hz = 10m; 60Hz = 15m)
 Poids: incluant la pompe, le trepied et le câble (50Hz = 10m; 60Hz = 15m)

Guss-Allgemeintoleranzen nach DIN1680 - GTB16
 General tolerances for castings in acc. to DIN1680-GTB16
 Tolleranze generali delle fusioni secondo DIN1680-GTB16
 Tolerancias generales para la fundición seg. de DIN1680-GTB16
 Tolérance générale de la fonderie selon DIN1680-GTB16

SULZER

Massblatt XFP 150G-CP Nassinstallation
Dimension sheet WET-WELL Installation
Dimensioni Installazione sommersa
Hoja de dimensiones instalación sumergida
Plan d'encombrement Installation noyee

No: AN-M.22.678 - 02
Drawn: 27/06/11 D.Whelan
Issue Date: 09/05/2013
Änderungen vorbehalten
Technical changes reserved
Con riserva di modifiche
Con reserva de modificaciones
Sous réserve de modification

50 Hz

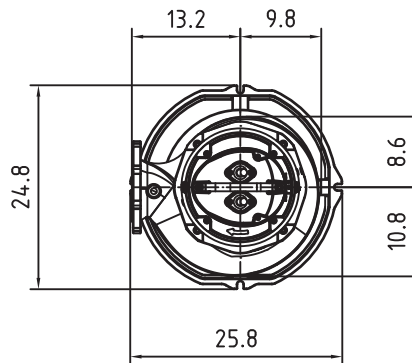
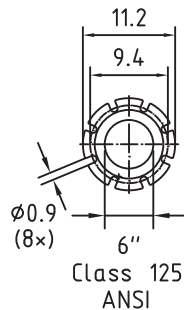
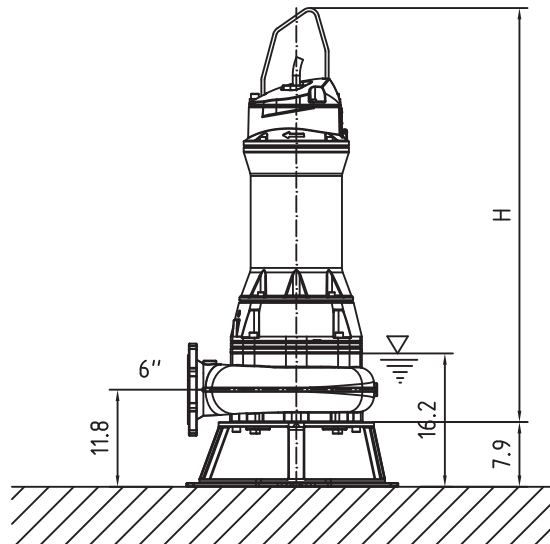
Typ Type Tipo	Gewicht Weight Poids N.C.J. (lbs)	Gewicht Weight Poids W.C.J. (lbs)	Height H (")
PE 110/4	773	894	51.1

60 Hz

Typ Type Tipo	Gewicht Weight Poids N.C.J. (lbs)	Gewicht Weight Poids W.C.J. (lbs)	Height H (")
PE 90/6	817	938	51.1

N.C.J. = No Cooling Jacket
W.C.J. = With Cooling Jacket

U.S.



Gewicht: Beinhaltet Pumpe, Bodenstutzgestell und Kabel (50Hz = 10m; 60Hz = 15m)
Weight: includes pump, skirtbase and cable (50Hz = 10m; 60Hz = 15m)
Peso: Incluye bomba, base soporte y cable (50Hz = 10m; 60Hz = 15m)
Peso: include: pompa, base d'appoggio e cavo (50Hz = 10m; 60Hz = 15m)
Poids: incluant la pompe, le trepied et le câble (50Hz = 10m; 60Hz = 15m)

Guss-Allgemeintoleranzen nach DIN1680 - GTB16
General tolerances for castings in acc. to DIN1680-GTB16
Tolleranze generali delle fusioni secondo DIN1680-GTB16
Tolerancias generales para la fundición seg. de DIN1680-GTB16
Tolérance générale de la fonderie selon DIN1680-GTB16