

**SULZER**

Massblatt XFP 200G-CB1 Nassinstallation  
 Dimension sheet WET-WELL Installation  
 Dimensioni Installazione sommersa  
 Hoja de dimensiones instalación sumergida  
 Plan d'encombrement Installation noyee

NO: AN-M.22.601 - 06 | 2  
 Drawn: 05/08/10 D.Whelan  
 Issue Date: 02/12/2021  
 Änderungen vorbehalten  
 Technical changes reserved  
 Con riserva di modifiche  
 Con reserva de modificaciones  
 Sous reserve de modification

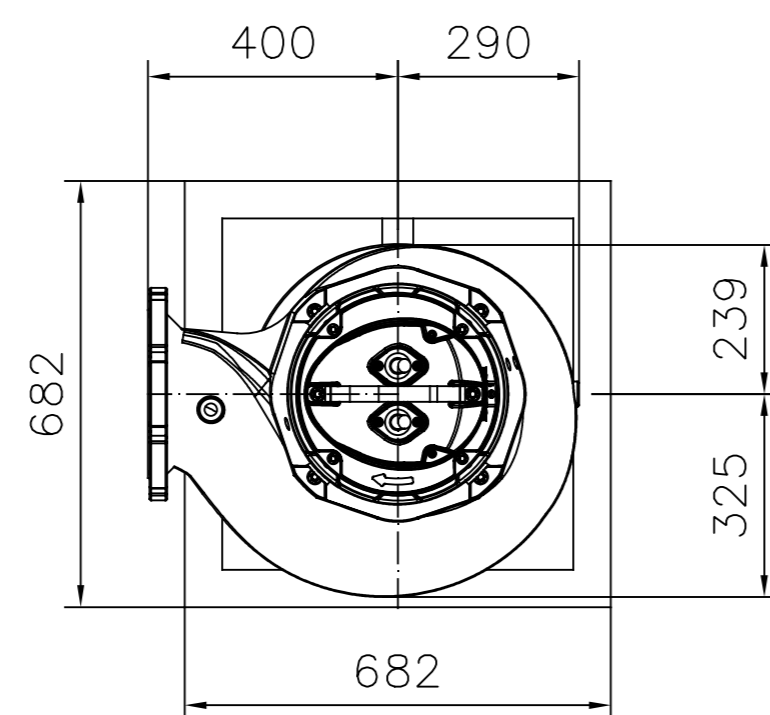
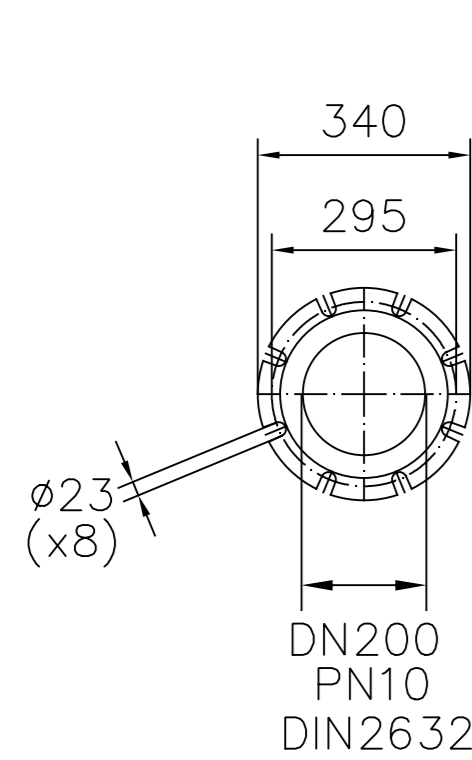
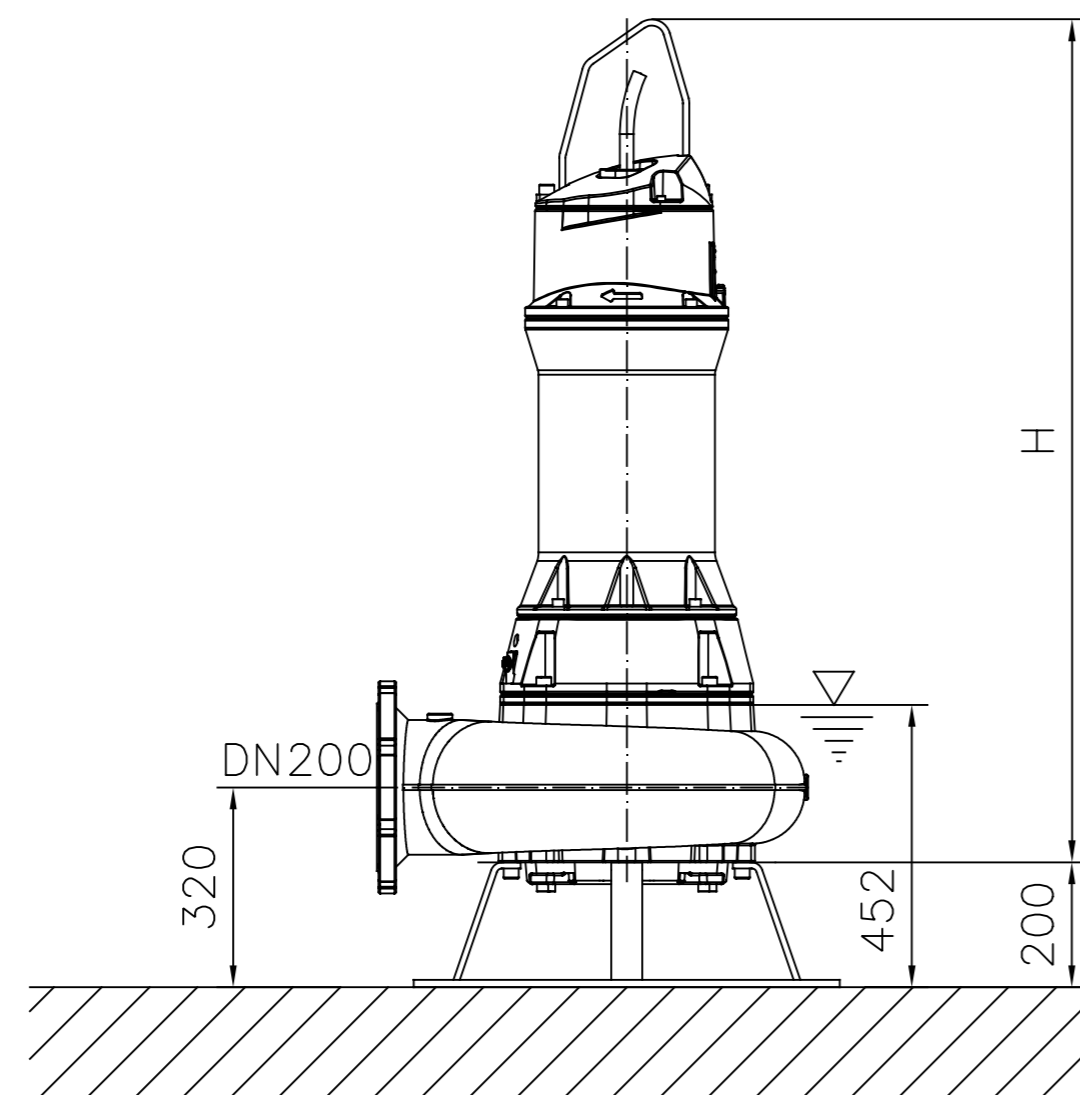
**50 Hz****S.I.**

Typ Type Tipo	Gewicht Weight Poids N.C.J. (kg)	Gewicht Weight Poids W.C.J. (kg)	Height H (mm)
PE 90/6	402	452	1349
PE 110/4	402	442	1349
PE 140/4	402	442	1349
PE 160/4	422	472	1349
PE 185/4	422	472	1349
PE 220/4	432	492	1389

**60 Hz**

Typ Type Tipo	Gewicht Weight Poids N.C.J. (kg)	Gewicht Weight Poids W.C.J. (kg)	Height H (mm)
PE 90/6	411	452	1349
PE 110/6	411	452	1349
PE 130/6	411	452	1349

N.C.J. = No Cooling Jacket  
 W.C.J. = With Cooling Jacket



Gewicht: Beinhaltet Pumpe, Bodenstützgestell und Kabel (50Hz = 10m; 60Hz = 15m)  
 Weight: includes pump, skirtbase and cable (50Hz = 10m; 60Hz = 15m)  
 Peso: Incluye bomba, base soporte y cable (50Hz = 10m; 60Hz = 15m)  
 Peso: include: pompa, base d'appoggio e cavo (50Hz = 10m; 60Hz = 15m)  
 Poids: incluant la pompe, le trépied et le câble (50Hz = 10m; 60Hz = 15m)

Guss-Allgemeintoleranzen nach DIN1680 - GTB16  
 General tolerances for castings in acc. to DIN1680-GTB16  
 Tolleranze generali delle fusioni secondo DIN1680-GTB16  
 Tolerancias generales para la fundición seg. de DIN1680-GTB16  
 Tolérance générale de la fonderie selon DIN1680-GTB16

**SULZER**

Massblatt XFP 200G-CB1 Nassinstallation  
 Dimension sheet WET-WELL Installation  
 Dimensioni Installazione sommersa  
 Hoja de dimensiones instalación sumergida  
 Plan d'encombrement Installation noyee

NO: AN-M.22.601 - 06 | 2  
 Drawn: 05/08/10 D.Whelan  
 Issue Date: 02/12/2021  
 Änderungen vorbehalten  
 Technical changes reserved  
 Con riserva di modifiche  
 Con reserva de modificaciones  
 Sous reserve de modification

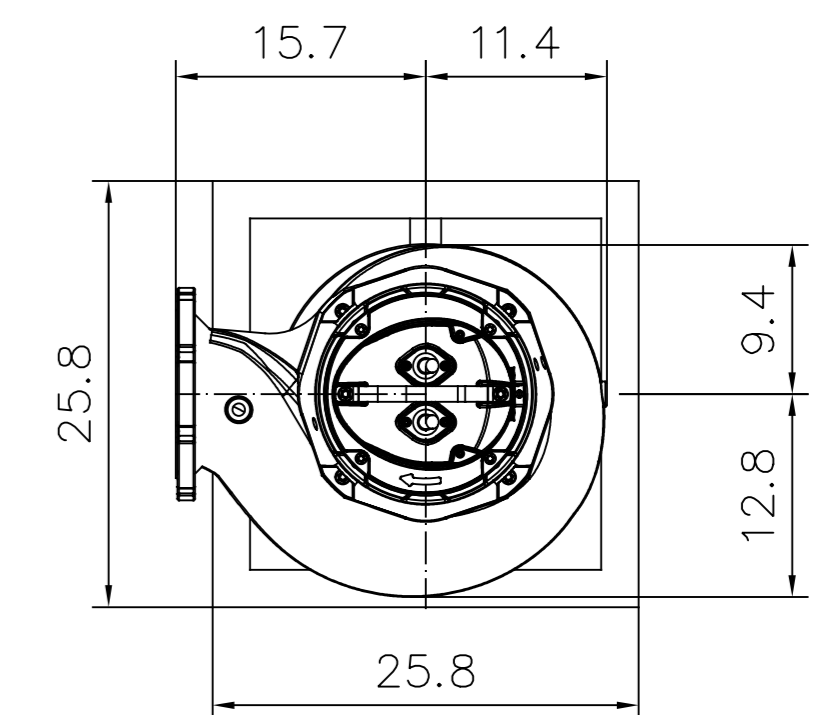
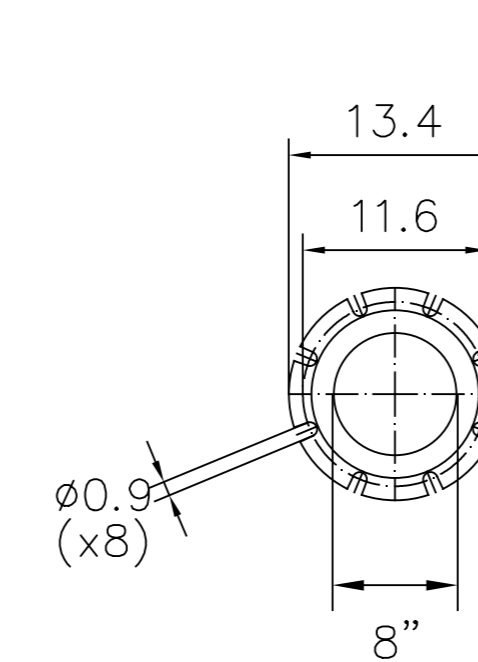
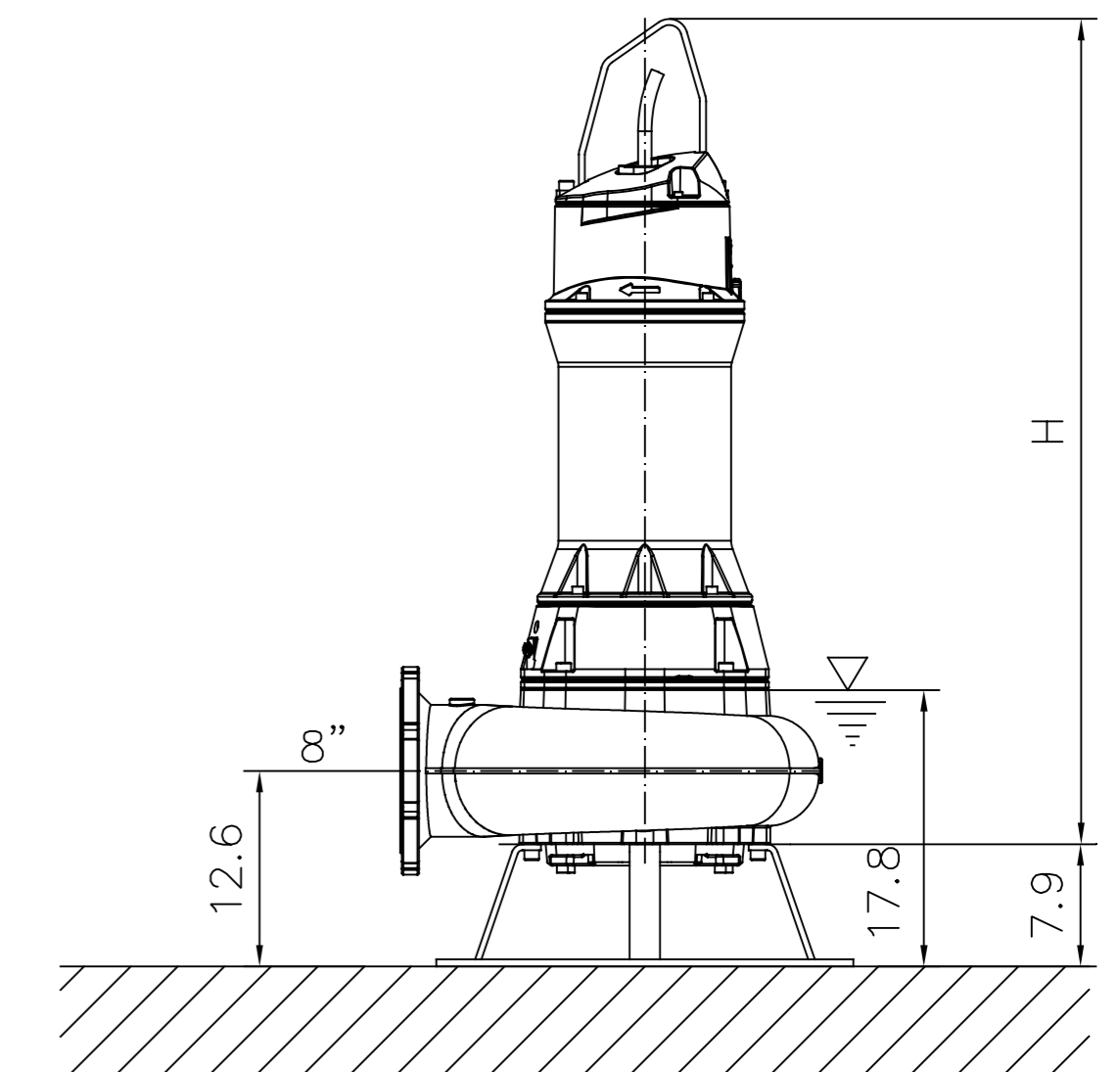
**50 Hz****U.S.**

Typ Type Tipo	Gewicht Weight Poids N.C.J. (lbs)	Gewicht Weight Poids W.C.J. (lbs)	Height H (")
PE 90/6	887	997	53.1
PE 110/4	887	975	53.1
PE 140/4	887	975	53.1
PE 160/4	931	1041	53.1
PE 185/4	931	1041	53.1
PE 220/4	953	1085	54.7

**60 Hz**

Typ Type Tipo	Gewicht Weight Poids N.C.J. (lbs)	Gewicht Weight Poids W.C.J. (lbs)	Height H (")
PE 90/6	906	997	53.1
PE 110/6	906	997	53.1
PE 130/6	906	997	53.1

N.C.J. = No Cooling Jacket  
 W.C.J. = With Cooling Jacket



Gewicht: Beinhaltet Pumpe, Bodenstützgestell und Kabel (50Hz = 10m; 60Hz = 15m)  
 Weight: includes pump, skirtbase and cable (50Hz = 10m; 60Hz = 15m)  
 Peso: Incluye bomba, base soporte y cable (50Hz = 10m; 60Hz = 15m)  
 Peso: include: pompa, base d'appoggio e cavo (50Hz = 10m; 60Hz = 15m)  
 Poids: incluant la pompe, le trépied et le câble (50Hz = 10m; 60Hz = 15m)

Guss-Allgemeintoleranzen nach DIN1680 - GTB16  
 General tolerances for castings in acc. to DIN1680-GTB16  
 Tolleranze generali delle fusioni secondo DIN1680-GTB16  
 Tolerancias generales para la fundición seg. de DIN1680-GTB16  
 Tolérance générale de la fonderie selon DIN1680-GTB16