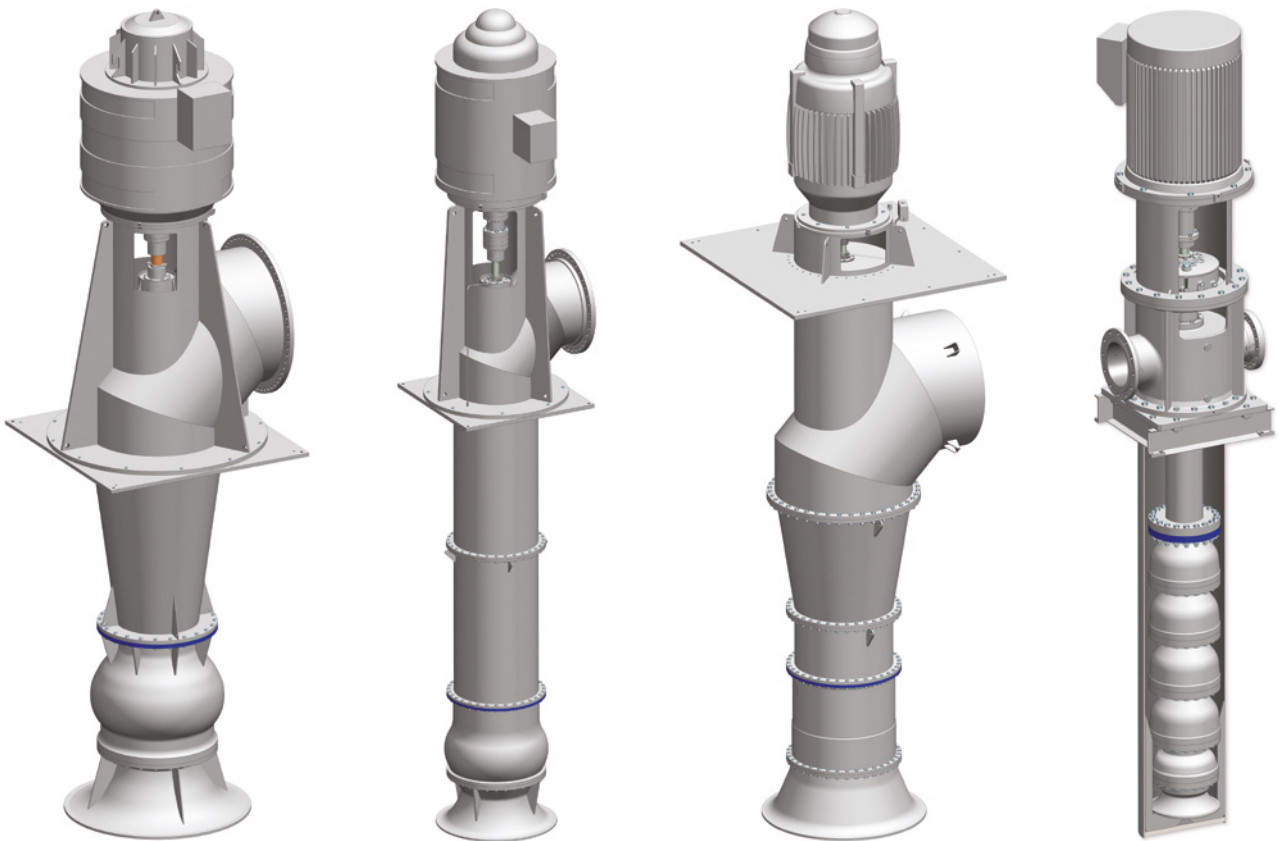


## Vertical Pump Ranges

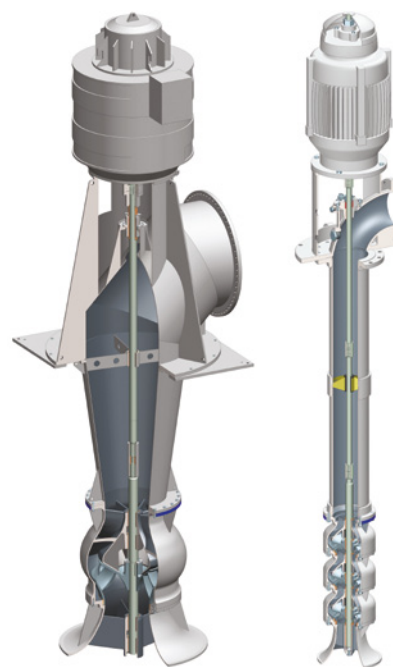


## SJT Vertical Turbine Pumps

The SJT vertical turbine range offers incredible flexibility due to an extensive range of standard features. These include oil, grease, product or flushed bearing lubrication, sealing plans for all liquids, above or below ground discharge and a wide range of materials of construction. In addition, SJT pumps can be supplied in accordance with ISO 13709 (API 610) and other specifications. The SJT pump can be supplied as both a lineshaft/open sump or can design.

A pre-configured product, the JTS, is also available. Inventory for 22 different models up to 20" for quick ship and re-bowl applications is maintained.

Vertical turbine pumps are typically used when a liquid needs to be pumped upward from ground water tables, manmade underground storage, or open bodies of liquid. They are also used in inline applications such as pipelines, booster and low NPSH (Net Positive Suction Head) systems.



SJT

JTS

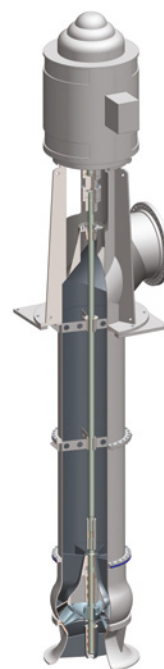
### Operating Data

	50 Hz	60 Hz
<b>Pump sizes</b>	150 to 3,000 mm	6 to 120 inches
<b>Capacities</b>	9 to 62,000 m <sup>3</sup> /h	40 to 270,000 USgpm
<b>Heads</b>	up to 110 m per stage	up to 350 feet per stage
<b>Pressures</b>	up to 40 bar	up to 600 psi
<b>Temperatures</b>	up to 230 °C	up to 450 °F

## SJM Vertical Mixed Flow Pumps

SJM vertical mixed flow pumps are ruggedly designed for years of trouble free operation in a wide variety of applications. The basic components of discharge head, column pipe and bowl assembly are combined and customized to match individual duty needs. The broad range of material options ensures the materials of construction can be matched to individual installation needs.

The pump is used for raw water supply in municipal applications, drainage, flood control, and power plant cooling water circulation.



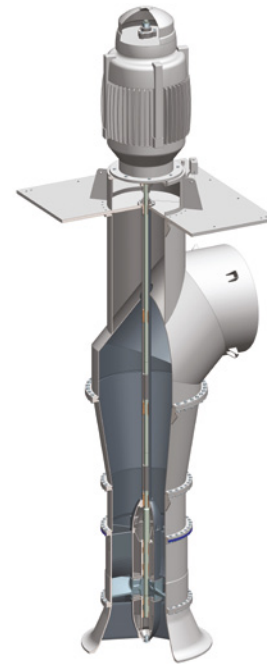
### Operating Data

	50 Hz	60 Hz
<b>Pump sizes</b>	200 to 2,400 mm	8 to 94 inches
<b>Capacities</b>	180 to 52,000 m <sup>3</sup> /h	800 to 250,000 USgpm
<b>Heads</b>	up to 30 m	up to 100 feet
<b>Pressures</b>	up to 17 bar	up to 250 psi
<b>Temperatures</b>	up to 135 °C	up to 275 °F

# SJP Vertical Axial Flow Pumps

The SJP range of vertical, axial flow (propeller) pumps is specifically designed for high flow low head duties. It can be manufactured from a variety of metallurgies to extend pump life and performance. Above and below base discharge connections are available to suit all existing pipe design variations.

Widely used in irrigation, flood control and drainage, SJP pumps are designed for continuous service for extended periods of time.



## Operating Data

	50 Hz	60 Hz
<b>Pump sizes</b>	200 to 2,120 mm	8 to 72 inches
<b>Capacities</b>	200 to 54,500 m <sup>3</sup> /h	900 to 240,000 USgpm
<b>Heads</b>	up to 12 m	up to 40 feet
<b>Pressures</b>	up to 2 bar	up to 30 psi
<b>Temperatures</b>	up to 50 °C	up to 120 °F

# Vertical Multistage Can Pumps

Vertical Can pumps are specified wherever NPSHa is limited due to either system constraints, or liquids are operating near their vapor pressure. For the power industry Sulzer offers the SJD CEP for condensate extraction and heater drain services. For hydrocarbons and cryogenics, the SJD API can be supplied to ISO 13709 (API 610). Both are available in one of either two designs:

- Single suction first stage impeller
- Double suction first stage impeller for applications with high flow and low NPSHa



SJD CEP

SJD API

## Operating Data

	50 Hz	60 Hz
<b>Pump sizes</b>	150 to 1,360 mm	6 to 54 inches
<b>Capacities</b>	9 to 18,000 m <sup>3</sup> /h	40 to 70,000 USgpm
<b>Heads</b>	up to 1,830 m	up to 6,000 ft
<b>Pressures</b>	up to 150 bar	up to 2,150 psi
<b>Temperatures</b>	up to 205 °C	up to 400 °F

[www.sulzer.com](http://www.sulzer.com)

E10010 en (3) 2.2014 (300), Copyright © Sulzer

This brochure is a general presentation. It does not provide any warranty or guarantee of any kind. Please, contact us for a description of the warranties and guarantees offered with our products. Directions for use and safety will be given separately. All information herein is subject to change without notice.