

**SULZER**

Massblatt XFP 100E-CB1 Nassinstallation

No: AN-M.22.567 -06

Dimension sheet WET-WELL Installation

Drawn: 11.05.09 / D.Whelan

Dimensioni Installazione sommersa

Issue Date: 09/05/2013

Hoja de dimensiones instalación sumergida

Anderungen vorbehalten

Plan d'encombrement Installation noyee

Technical changes reserved

Con riserva di modifiche

Con reserva de modificaciones

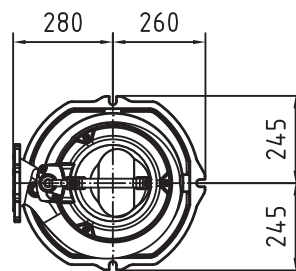
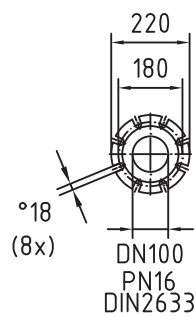
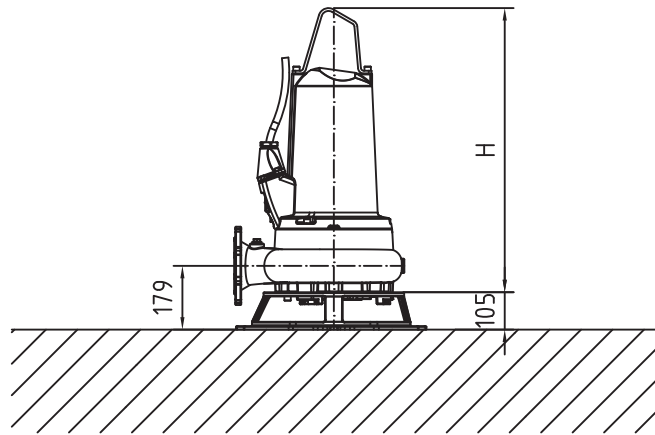
Sous réserve de modification

**50 Hz****S.I.**

Typ Type Tipo	Gewicht Weight Poids Peso (kg)	H (mm)
PE 40/4	171	728
PE 60/4	181	728
PE 90/4	201	798

**60 Hz**

Typ Type Tipo	Gewicht Weight Poids Peso (kg)	H (mm)
PE 35/6	181	728
PE 45/4	171	728
PE 56/4	171	728
PE 75/4	181	728
PE 90/4	201	798
PE 105/4	201	798



Gewicht: Beinhaltet Pumpe, Bodenstützgestell und Kabel (50Hz = 10m; 60Hz = 15m)  
 Weight: includes pump, skirtbase and cable (50Hz = 10m; 60Hz = 15m)  
 Peso: Incluye bomba, base soporte y cable (50Hz = 10m; 60Hz = 15m)  
 Peso: include: pompa, base d'appoggio e cavo (50Hz = 10m; 60Hz = 15m)  
 Poids: incluant la pompe, le trepied et le câble (50Hz = 10m; 60Hz = 15m)

Guss-Allgemeintoleranzen nach DIN1680 - GTB16  
 General tolerances for castings in acc. to DIN1680-GTB16  
 Tolleranze generali delle fusioni secondo DIN1680-GTB16  
 Tolerancias generales para la fundición seg. de DIN1680-GTB16  
 Tolérance générale de la fonderie selon DIN1680-GTB16

**SULZER**

Massblatt XFP 100E-CB1 Nassinstallation

Dimension sheet WET-WELL Installation

Dimensioni Installazione sommersa

Hoja de dimensiones instalación sumergida

Plan d'encombrement Installation noyee

No: AN-M.22.567 -06

Drawn: 11.05.09 / D.Whelan

Issue Date: 09/05/2013

Änderungen vorbehalten

Technical changes reserved

Con riserva di modifiche

Con reserva de modificaciones

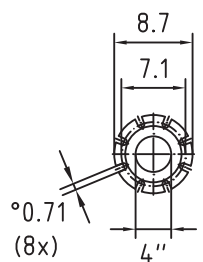
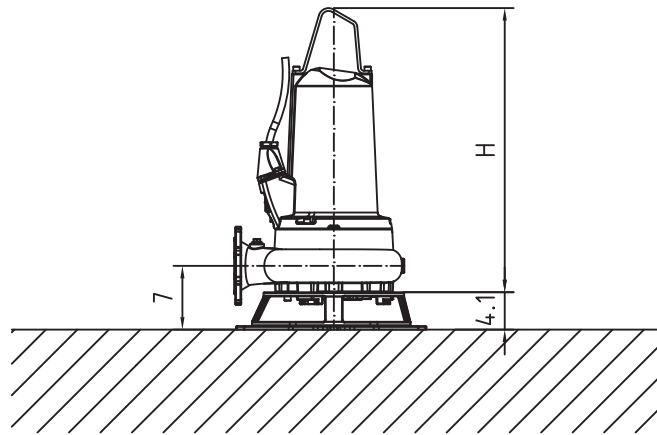
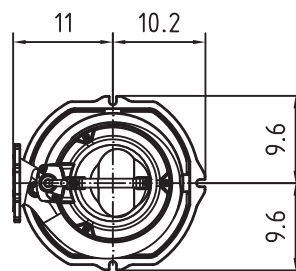
Sous réserve de modification

**50 Hz****U.S.**

Typ Type Tipo	Gewicht Weight Poids Peso (lbs)	H (")
PE 40/4	377	28.7
PE 60/4	400	28.7
PE 90/4	444	31.4

**60 Hz**

Typ Type Tipo	Gewicht Weight Poids Peso (lbs)	H (")
PE 35/6	400	28.7
PE 45/4	377	28.7
PE 56/4	377	28.7
PE 75/4	400	28.7
PE 90/4	444	31.4
PE 105/4	444	31.4

Class 125  
ANSI

Gewicht: Beinhaltet Pumpe, Bodenstützgestell und Kabel (50Hz = 10m; 60Hz = 15m)  
 Weight: includes pump, skirtbase and cable (50Hz = 10m; 60Hz = 15m)  
 Peso: Incluye bomba, base soporte y cable (50Hz = 10m; 60Hz = 15m)  
 Peso: include: pompa, base d'appoggio e cavo (50Hz = 10m; 60Hz = 15m)  
 Poids: incluant la pompe, le trepied et le câble (50Hz = 10m; 60Hz = 15m)

Guss-Allgemeintoleranzen nach DIN1680 - GTB16

General tolerances for castings in acc. to DIN1680-GTB16

Tolleranze generali delle fusioni secondo DIN1680-GTB16

Tolerancias generales para la fundición seg. de DIN1680-GTB16

Tolérance générale de la fonderie selon DIN1680-GTB16