

SULZER

Massblatt XFP 100G-CB1 Nassinstallation

No: AN-M.22.692 - 01

Dimension sheet DN150 Twin Guide Rail

Drawn: 18/11/15 D.Whelan

Dimensioni Installazione sommersa

Issue Date: 18/11/2015

Hoja de dimensiones instalacion sumergida

Änderungen vorbehalten

Plan d'encombrement Installation noyee

Technical changes reserved

Con riserva di modifiche

Con reserva de modificaciones

Sous réserve de modification

50 Hz**S.I.**

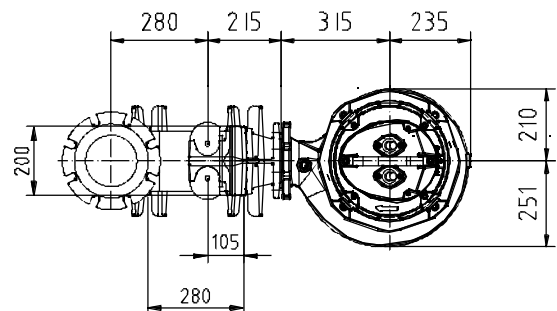
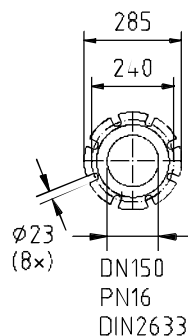
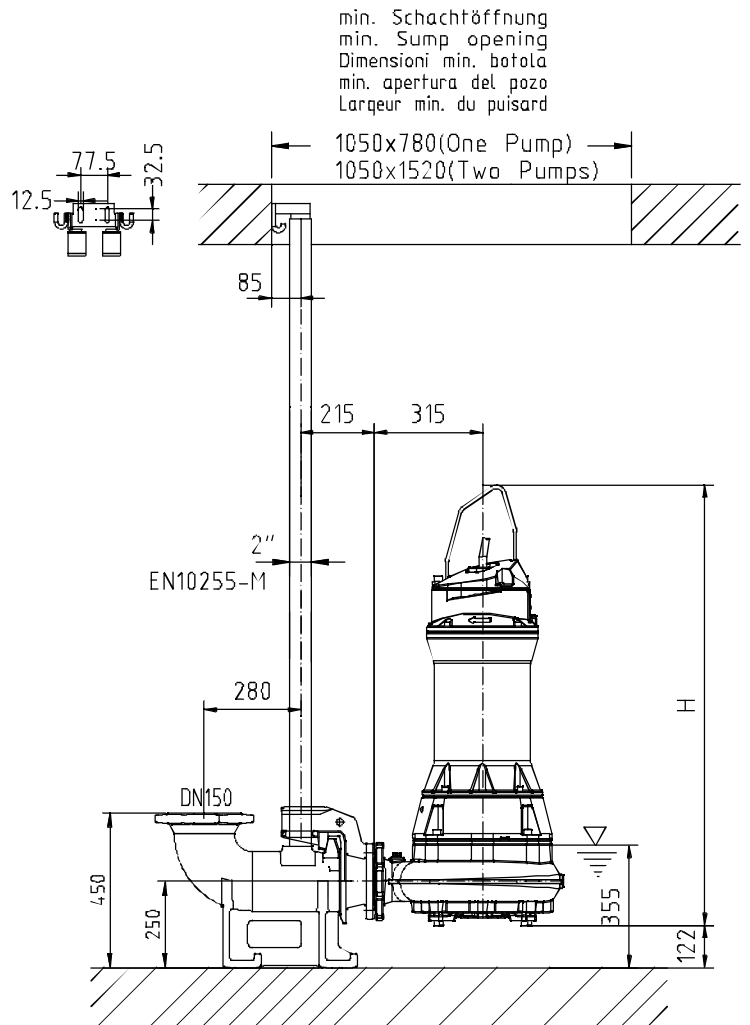
Typ Type Tipo	Gewicht Weight Poids N.C.J. (kg)	Gewicht Weight Poids W.C.J. (kg)	Height H (mm)
PE 110/4	355	395	1282
PE 140/4	355	395	1282
PE 160/4	375	415	1282
PE 185/4	375	415	1282
PE 220/4	385	435	1322

60 Hz

Typ Type Tipo	Gewicht Weight Poids N.C.J. (kg)	Gewicht Weight Poids W.C.J. (kg)	Height H (mm)
PE 90/6	365	415	1282
PE 130/4	355	400	1282
PE 150/4	355	400	1282
PE 185/4	375	420	1282
PE 210/4	385	425	1282
PE 250/4	400	450	1322

N.C.J. = No Cooling Jacket

W.C.J. = With Cooling Jacket



Gewicht: Beinhaltet Pumpe, Halterung (Fussstück) und Kabel (50 Hz = 10 m; 60 Hz = 15 m)
 Weight: includes pump, slider bracket and cable (50 Hz = 10 m; 60 Hz = 15 m)
 Peso: include bomba, pezzo intermedio a cavo (50 Hz = 10 m; 60 Hz = 15 m)
 Peso: Incluye bomba, soporte deslizante y cable (50 Hz = 10 m; 60 Hz = 15 m)
 Poids : incluant la pompe, le coulisseau et le câble* (50 Hz = 10 m; 60 Hz = 15 m)

Guss-Allgemeintoleranzen nach DIN1680 - GTB16
 General tolerances for castings in acc. to DIN1680-GTB16
 Tolleranze generali delle fusioni secondo DIN1680-GTB16
 Tolerancias generales para la fundición seg. de DIN1680-GTB16
 Tolérance générale de la fonderie selon DIN1680-GTB16

SULZER

Massblatt XFP 100G-CB1 Nassinstallation

No: AN-M.22.692 - 01

Dimension sheet DN150 Twin Guide Rail

Drawn: 18/11/15 D.Whelan

Dimensioni Installazione sommersa

Issue Date: 18/11/2015

Hoja de dimensiones instalacion sumergida

Änderungen vorbehalten

Technical changes reserved

Con riserva di modifiche

Plan d'encombremnt Installation noyee

Con reserva de modificaciones
Sous réserve de modification**50 Hz****U.S.**

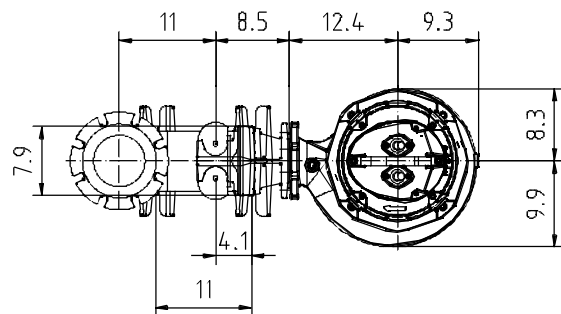
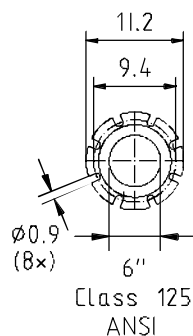
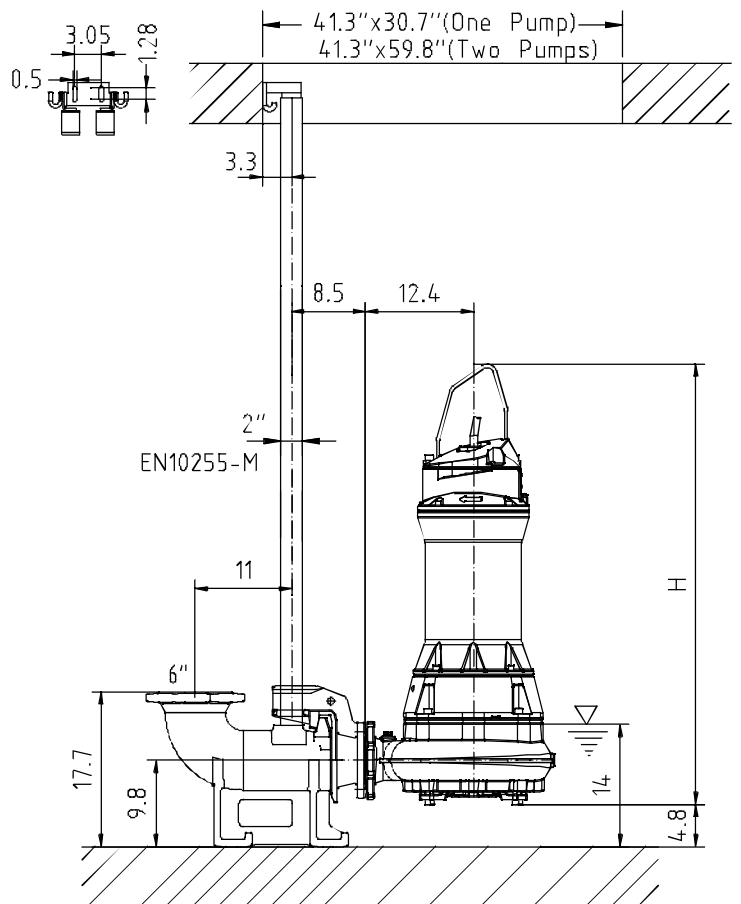
Typ Type Tipo	Gewicht Weight Poids N.C.J. (lbs)	Gewicht Weight Poids W.C.J. (lbs)	Height H (")
PE 110/4	783	805	50.5"
PE 140/4	783	805	50.5"
PE 160/4	827	915	50.5"
PE 185/4	827	915	50.5"
PE 220/4	849	960	52.0"

min. Schachtöffnung
min. Sump opening
Dimensioni min. botola
min. apertura del pozo
Largeur min. du puisard

60 Hz

Typ Type Tipo	Gewicht Weight Poids N.C.J. (lbs)	Gewicht Weight Poids W.C.J. (lbs)	Height H (")
PE 90/6	805	915	50.5"
PE 130/4	783	882	50.5"
PE 150/4	783	882	50.5"
PE 185/4	827	926	50.5"
PE 210/4	849	937	50.5"
PE 250/4	882	992	52.0"

N.C.J. = No Cooling Jacket
W.C.J. = With Cooling Jacket



Gewicht: Beinhaltet Pumpe, Halterung (Fußstück) und Kabel (50 Hz = 10 m; 60 Hz = 15 m)
Weight: includes pump, slider bracket and cable (50 Hz = 10 m; 60 Hz = 15 m)
Peso: include bomba, pezzo intermedio a cavo (50 Hz = 10 m; 60 Hz = 15 m)
Peso: Incluye bomba, soporte deslizante y cable (50 Hz = 10 m; 60 Hz = 15 m)
Poids : incluant la pompe, le coulisseau et le cable* (50 Hz = 10 m; 60 Hz = 15 m)

Guss-Allgemeintoleranzen nach DIN1680 - GTB16
General tolerances for castings in acc. to DIN1680-GTB16
Tolleranze generali delle fusioni secondo DIN1680-GTB16
Tolerancias generales para la fundición seg. de DIN1680-GTB16
Tolérance générale de la fonderie selon DIN1680-GTB16