

**SULZER**

Massblatt XFP 201G-CB2 Nassinstallation

Dimension sheet WET-WELL Installation

Dimensioni Installazione sommersa

Hoja de dimensiones instalación sumergida

Plan d'encombrement Installation noyee

No: AN-M.22.606 - 01

Drawn: 05/08/10 D.Whelan

Issue Date: 09/05/2013

Änderungen vorbehalten

Technical changes reserved

Con riserva di modifiche

Con reserva de modificaciones

Sous réserve de modification

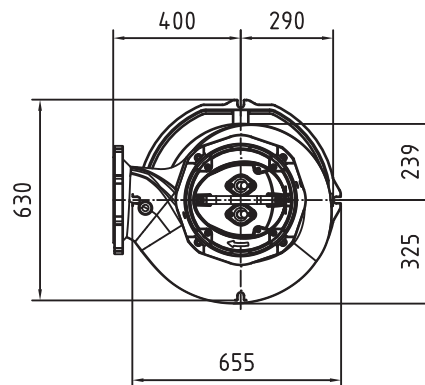
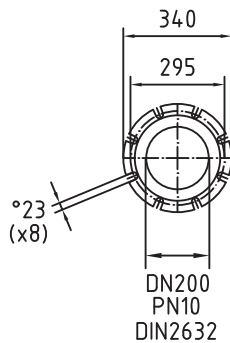
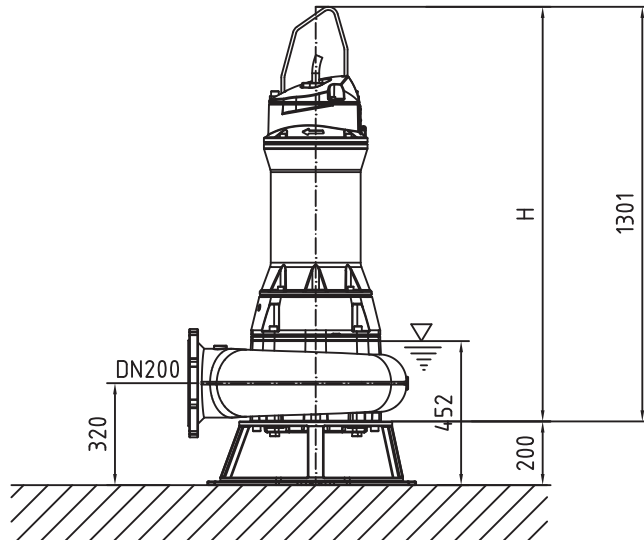
**50 Hz****S.I.**

Typ Type Tipo	Gewicht Weight Poids N.C.J. (kg)	Gewicht Weight Poids W.C.J. (kg)	Height H (mm)
PE 90/6	402	452	1301
PE 110/6	402	452	1301
PE 140/6	422	462	1301

**60 Hz**

Typ Type Tipo	Gewicht Weight Poids N.C.J. (kg)	Gewicht Weight Poids W.C.J. (kg)	Height H (mm)
PE 130/6	411	452	1301
PE 160/6	422	462	1301
PE 200/6	481	522	1341
PE 120/8	421	462	1301

N.C.J. = No Cooling Jacket  
W.C.J. = With Cooling Jacket



Gewicht: Beinhaltet Pumpe, Bodenstützgestell und Kabel (50Hz = 10m; 60Hz = 15m)  
Weight: includes pump, skirtbase and cable (50Hz = 10m; 60Hz = 15m)  
Peso: Incluye bomba, base soporte y cable (50Hz = 10m; 60Hz = 15m)  
Peso: include: pompa, base d'appoggio e cavo (50Hz = 10m; 60Hz = 15m)  
Poids: incluant la pompe, le trepied et le câble (50Hz = 10m; 60Hz = 15m)

Guss-Allgemeintoleranzen nach DIN1680 - GTB16

General tolerances for castings in acc. to DIN1680-GTB16

Tolleranze generali delle fusioni secondo DIN1680-GTB16

Tolerancias generales para la fundición seg. de DIN1680-GTB16

Tolérance générale de la fonderie selon DIN1680-GTB16

**SULZER**

Massblatt XFP 201G-CB2 Nassinstallation

Dimension sheet WET-WELL Installation

Dimensioni Installazione sommersa

Hoja de dimensiones instalación sumergida

Plan d'encombrement Installation noyee

No: AN-M.22.606 - 01

Drawn: 05/08/10 D.Whelan

Issue Date: 09/05/2013

Änderungen vorbehalten

Technical changes reserved

Con riserva di modifiche

Con reserva de modificaciones

Sous réserve de modification

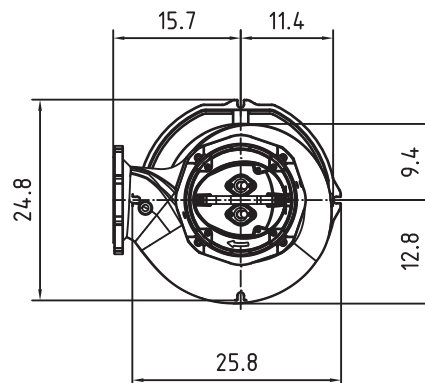
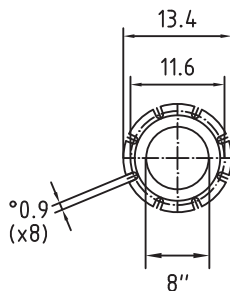
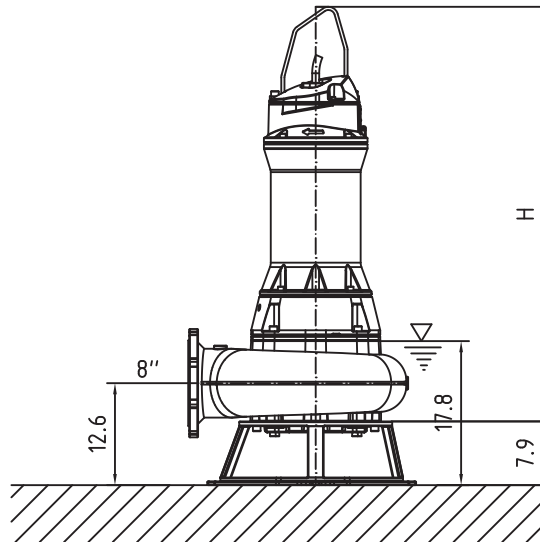
**50 Hz****U.S.**

Type Type Tipo	Gewicht Weight Poids N.C.J. (lbs)	Gewicht Weight Poids W.C.J. (lbs)	Height H (")
PE 90/6	887	997	51.2
PE 110/6	887	997	51.2
PE 140/6	931	1019	51.2

**60 Hz**

Type Type Tipo	Gewicht Weight Poids N.C.J. (lbs)	Gewicht Weight Poids W.C.J. (lbs)	Height H (")
PE 130/6	906	997	51.2
PE 160/6	931	1019	51.2
PE 200/6	1060	1151	52.8
PE 120/8	928	1019	51.2

N.C.J. = No Cooling Jacket  
W.C.J. = With Cooling Jacket



Gewicht: Beinhaltet Pumpe, Bodenstützgestell und Kabel (50Hz = 10m; 60Hz = 15m)  
Weight: includes pump, skirtbase and cable (50Hz = 10m; 60Hz = 15m)  
Peso: Incluye bomba, base soporte y cable (50Hz = 10m; 60Hz = 15m)  
Peso: include: pompa, base d'appoggio e cavo (50Hz = 10m; 60Hz = 15m)  
Poids: incluant la pompe, le trepied et le câble (50Hz = 10m; 60Hz = 15m)

Guss-Allgemeintoleranzen nach DIN1680 - GTB16

General tolerances for castings in acc. to DIN1680-GTB16

Tolleranze generali delle fusioni secondo DIN1680-GTB16

Tolerancias generales para la fundición seg. de DIN1680-GTB16

Tolérance générale de la fonderie selon DIN1680-GTB16