

SULZER

Massblatt XFP 101G-CB1 Trockeninstallation
Dimension sheet DRY-WELL Installation
Dimensioni Installazione a secco
Hoja de dimensiones instalaci3n en seco
Plan d'encombrement Installation a `sec

No: AN-M.22.588 - 03
Drawn: 05/08/10 D.Whelan
Issue Date: 09/05/2013
Änderungen vorbehalten
Technical changes reserved
Con riserva di modifiche
Con reserva de modificaciones
Sous r serve de modification

50 Hz

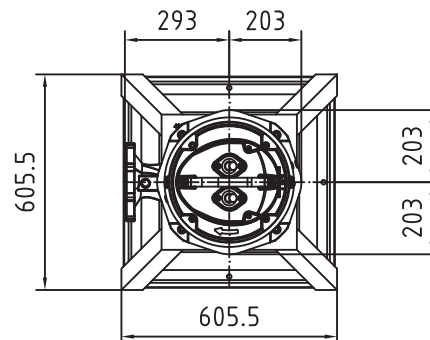
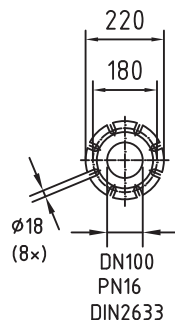
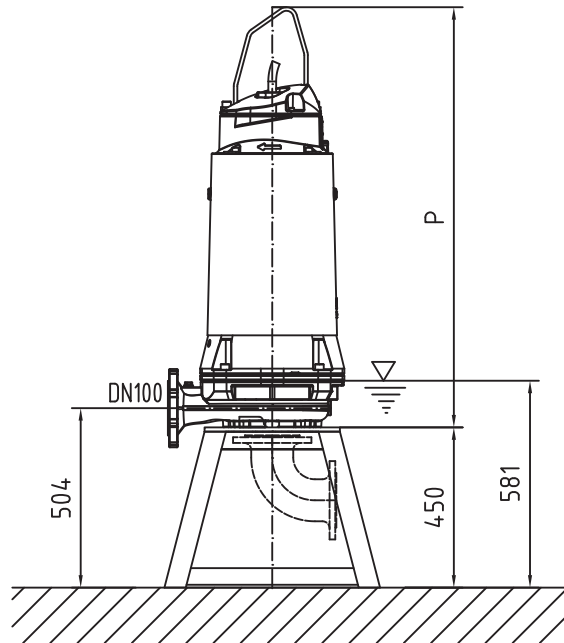
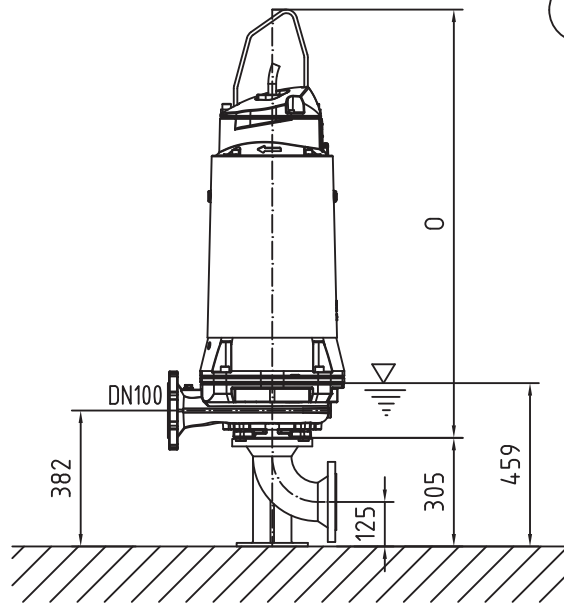
Typ Type Tipo	Gewicht Weight Poids N.C.J. (kg)	Gewicht Weight Poids W.C.J. (kg)	O (mm)	P (mm)
PE 150/2	320	398	1203	1180
PE 185/2	320	398	1203	1180
PE 250/2	340	418	1203	1180

60 Hz

Typ Type Tipo	Gewicht Weight Poids N.C.J. (kg)	Gewicht Weight Poids W.C.J. (kg)	O (mm)	P (mm)
PE 185/2	340	418	1203	1180
PE 200/2	368	380	1203	1180
PE 230/2	350	428	1203	1180
PE 300/2	360	410	1203	1180

N.C.J. = No Cooling Jacket
W.C.J. = With Cooling Jacket

S.I.



Gewicht: Beinhaltet Pumpe und Kabel (50 Hz = 10 m; 60 Hz = 15 m)
Weight: includes pump and cable (50 Hz = 10 m; 60 Hz = 15 m)
Peso: include bomba e cavo (50 Hz = 10 m; 60 Hz = 15 m)
Peso: Incluye bomba y cable (50 Hz = 10 m; 60 Hz = 15 m)
Poids : incluant la pompe et le cable (50 Hz = 10 m; 60 Hz = 15 m)

Guss-Allgemeintoleranzen nach DIN1680 - GTB16
General tolerances for castings in acc. to DIN1680-GTB16
Tolleranze generali delle fusioni in acc. to DIN1680-GTB16
Tolerancias generales para la fundici3n seg. de DIN1680-GTB16
Tol rance g n rale de la fonderie selon DIN1680-GTB16

SULZER

Massblatt XFP 101G-CB1 Trockeninstallation

Dimension sheet DRY-WELL Installation

Dimensioni Installazione a secco

Hoja de dimensiones instalaci3n en seco

Plan d'encombrement Installation a`sec

No: AN-M.22.588 - 03

Drawn: 05/08/10 D.Whelan

Issue Date: 09/05/2013

Änderungen vorbehalten
 Technical changes reserved
 Con riserva di modifiche
 Con reserva de modificaciones
 Sous r serve de modification

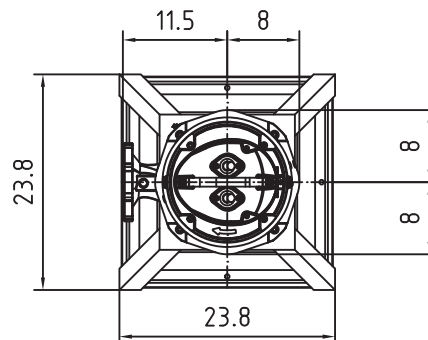
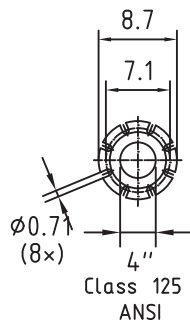
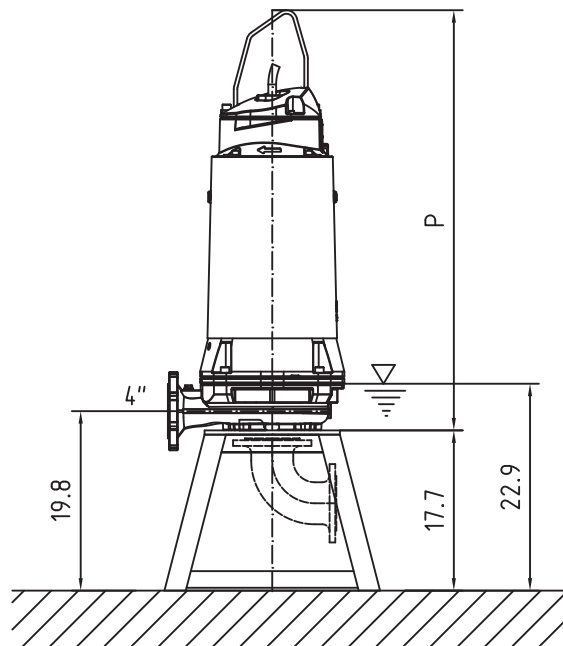
50 Hz**U.S.**

Typ Type Tipo	Gewicht Weight Poids N.C.J. (lbs)	Gewicht Weight Poids W.C.J. (lbs)	P (")
PE 150/2	704	878	46.5
PE 185/2	704	878	46.5
PE 250/2	748	922	46.5

60 Hz

Typ Type Tipo	Gewicht Weight Poids N.C.J. (lbs)	Gewicht Weight Poids W.C.J. (lbs)	P (")
PE 185/2	750	922	46.5
PE 200/2	812	838	46.5
PE 230/2	772	944	46.5
PE 300/2	794	904	46.5

N.C.J. = No Cooling Jacket
 W.C.J. = With Cooling Jacket



Gewicht: Beinhaltet Pumpe und Kabel (50 Hz = 10 m; 60 Hz = 15 m)
 Weight: includes pump and cable (50 Hz = 10 m; 60 Hz = 15 m)
 Peso: include bomba e cavo (50 Hz = 10 m; 60 Hz = 15 m)
 Peso: Incluye bomba y cable (50 Hz = 10 m; 60 Hz = 15 m)
 Poids : incluant la pompe et le cable (50 Hz = 10 m; 60 Hz = 15 m)

Guss-Allgemeintoleranzen nach DIN1680 - GTB16
 General tolerances for castings in acc. to DIN1680-GTB16
 Tolleranze generali delle fusioni secondo DIN1680-GTB16
 Tolerancias generales para la fundici3n seg. de DIN1680-GTB16
 Tol rance g n rale de la fonderie selon DIN1680-GTB16