

SULZER

Massblatt XFP 150G-vX Nassinstallation

No: AN-M.22.648 - 03

Dimension sheet WET-WELL Installation

Drawn: 25/11/10 D.Wheelan

Dimensioni Installazione sommersa

Issue Date: 09/05/2013

Hoja de dimensiones instalación sumergida

Anderungen vorbehalten

Plan d'encombrement Installation noyee

Technical changes reserved

Con riserva di modifiche

Con reserva de modificaciones

Sous réserve de modification

50 Hz**S.I.**

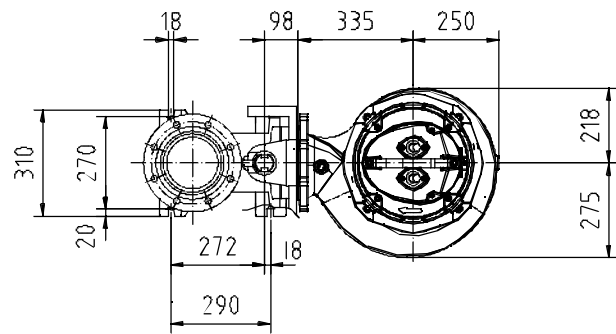
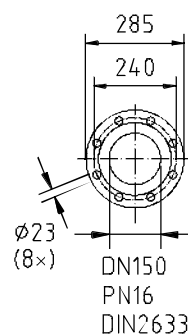
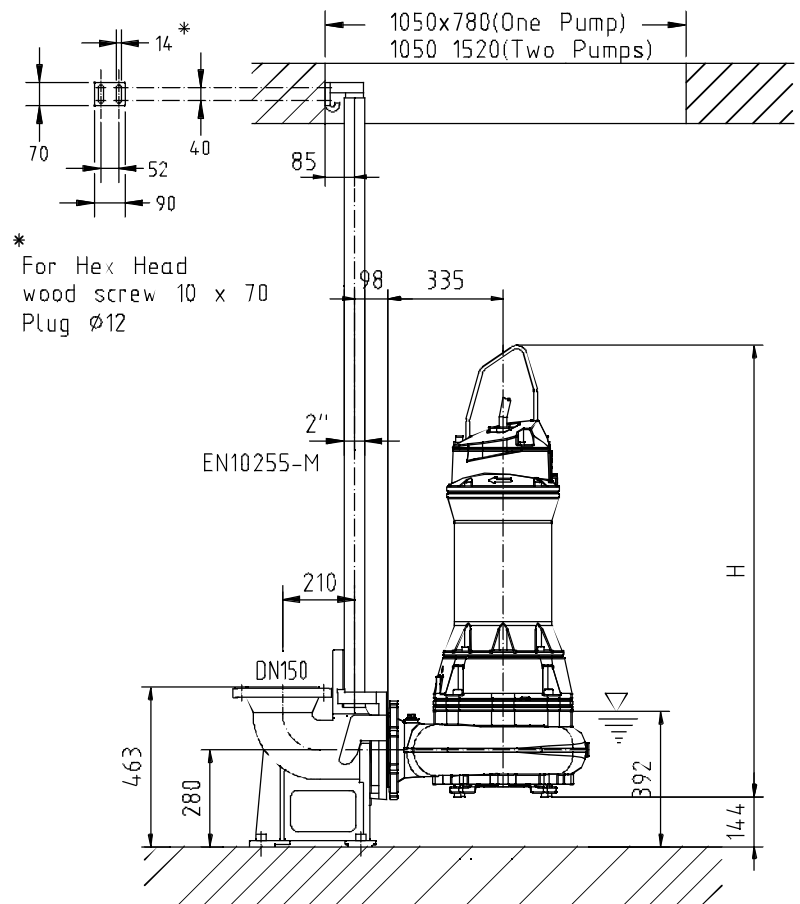
| Typ Type Tipo | Gewicht Weight Poids N.C.J. (kg) | Gewicht Weight Poids W.C.J. (kg) | Height H (mm) |
|---------------------|--|--|---------------------|
| PE 110/4 | 347 | 397 | 1315 |
| PE 140/4 | 347 | 397 | 1315 |
| PE 160/4 | 377 | 417 | 1315 |
| PE 185/4 | 377 | 417 | 1315 |

min. Schachtöffnung
min. Sump opening
Dimensioni min. botola
min. apertura del pozo
Largeur min. du puisard

60 Hz

| Typ Type Tipo | Gewicht Weight Poids N.C.J. (kg) | Gewicht Weight Poids W.C.J. (kg) | Height H (mm) |
|---------------------|--|--|---------------------|
| | | | |
| | | | |
| | | | |

N.C.J. = No Cooling Jacket
W.C.J. = With Cooling Jacket



Gewicht: Beinhaltet Pumpe, Halterung (Fussstück) und Kabel (50 Hz = 10 m; 60 Hz = 15 m)

Weight: includes pump, slider bracket and cable (50 Hz = 10 m; 60 Hz = 15 m)

Peso: include pompa, pezzo intermedio a cavo (50 Hz = 10 m; 60 Hz = 15 m)

Peso: Incluye bomba, soporte deslizante y cable (50 Hz = 10 m; 60 Hz = 15 m)

Poids : incluant la pompe, le coulisseau et le câble (50 Hz = 10 m; 60 Hz = 15 m)

Guss-Allgemeintoleranzen nach DIN1680 - GTB16

General tolerances for castings in acc. to DIN1680-GTB16

Tolleranze generali delle fusioni secondo DIN1680-GTB16

Tolerancias generales para la fundición seg. de DIN1680-GTB16

Tolérance générale de la fonderie selon DIN1680-GTB16

SULZER

Massblatt XFP 150G-VX Nassinstallation
 Dimension sheet WET-WELL Installation
 Dimensioni Installazione sommersa
 Hoja de dimensiones instalación sumergida
 Plan d'encombremet Installation noyee

No: AN-M.22.648 - 03
 Drawn: 25/11/10 D.Whelan
 Issue Date: 09/05/2013
 Änderungen vorbehalten
 Technical changes reserved
 Con riserva di modifiche
 Con reserva de modificaciones
 Sous réserve de modification

50 Hz

| Typ Type Tipo | Gewicht Weight Poids N.C.J. (lbs) | Gewicht Weight Poids W.C.J. (lbs) | Height H (") |
|---------------------|---|---|--------------------|
| PE 110/4 | 766 | 876 | 51.8 |
| PE 140/4 | 766 | 876 | 51.8 |
| PE 160/4 | 832 | 920 | 51.8 |
| PE 185/4 | 832 | 920 | 51.8 |

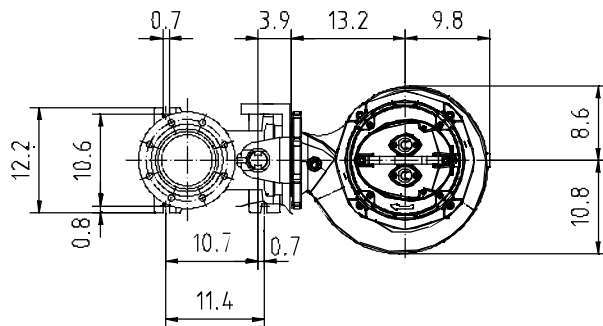
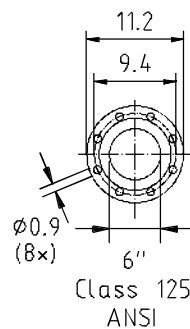
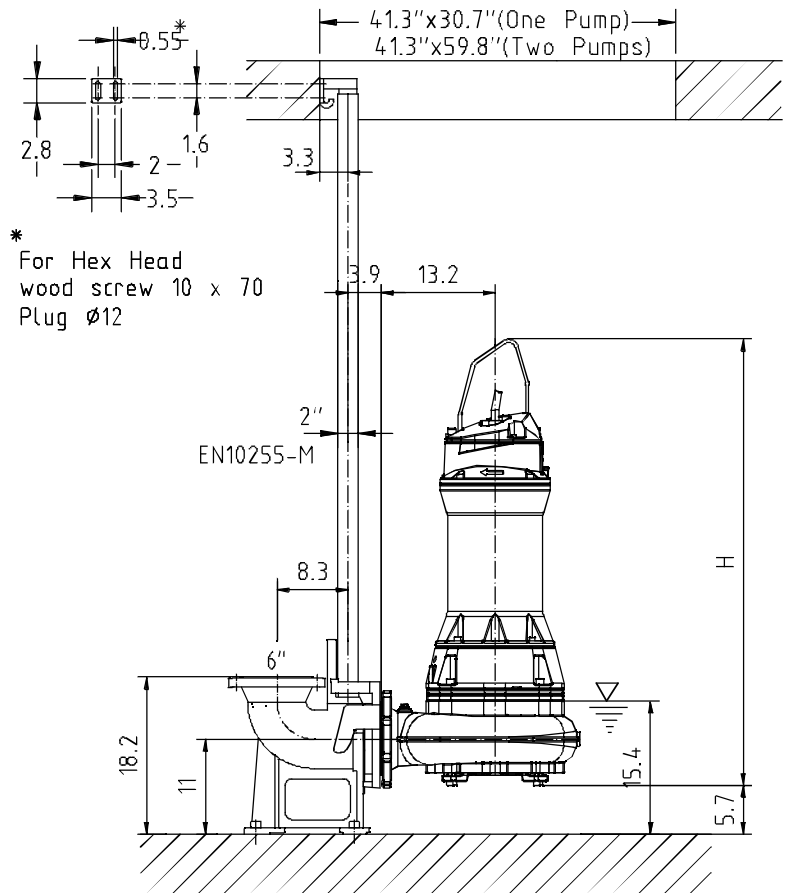
U.S.

min. Schachtöffnung
 min. Sump opening
 Dimensioni min. botola
 min. apertura del pozo
 Largeur min. du puisard

60 Hz

| Typ Type Tipo | Gewicht Weight Poids N.C.J. (lbs) | Gewicht Weight Poids W.C.J. (lbs) | Height H (") |
|---------------------|---|---|--------------------|
| | | | |
| | | | |
| | | | |

N.C.J. = No Cooling Jacket
 W.C.J. = With Cooling Jacket



Gewicht: Beinhaltet Pumpe, Halterung (Fussstück) und Kabel (50 Hz = 10 m; 60 Hz = 15 m)
 Weight: includes pump, slider bracket and cable (50 Hz = 10 m; 60 Hz = 15 m)
 Peso: include pompa, pezzo intermedio a cavo (50 Hz = 10 m; 60 Hz = 15 m)
 Peso: Incluye bomba, soporte deslizante y cable (50 Hz = 10 m; 60 Hz = 15 m)
 Poids : incluant la pompe, le coulisseau et le câble (50 Hz = 10 m; 60 Hz = 15 m)

Guss-Allgemeintoleranzen nach DIN1680 - GTB16
 General tolerances for castings in acc. to DIN1680-GTB16
 Tolleranze generali delle fusioni secondo DIN1680-GTB16
 Tolerancias generales para la fundición seg. de DIN1680-GTB16
 Tolérance générale de la fonderie selon DIN1680-GTB16