

SPARE PARTS LIST/ERSATZTEILLISTE/LISTE DE PIÈCES DE RECHANGE

MF 804 D/KS 50Hz (2001)

(With Cast Iron Motor Housing)

Valid from Serial Number: 100 -

Page :
 Issue of : 10/02/2020
 Supersedes Issue :
 Issue No. : 3
 Drawing ref. Nr. : ANS13349-00

Pos. No.	Part No.	Kit	Qty	Description	Benennung	Designation	Dimensions /Din	Comments	Price
1	42005004		1	Handle	Handgriff	Poignee			
2	62675031		1	Upper lid	Obererdeckel	Couvercle supérieur			
3	11120415	A	1	O-ring	O-ring	Joint torique	Ø110x3.5 DIN3771		
4	11200229		3	Hexagonal screw	Sechskantschraube	Vis hexagonal	M5x12 DIN933	1.4401	
5	61275154		1	Motor	Motor	Moteur	230/3/50		
5	61275155		1	Motor	Motor	Moteur	400/3/50		
6	11030046		0.02	Oil	Öl	Huile			
7	42015009		1	Washer	Scheibe	Rondelle	Ø34x18x1.5		
8	42015023		1	Washer	Scheibe	Rondelle			
9	11121148	A	1	O-ring	O-ring	Joint torique	Ø125x2.5 DIN3771		
10	41075045		1	Impeller	Lauftrad	Roue	Ø120/6 H17		
11	31055071		1	Volute	Kreiselkammer	Corps de pompe			
11	31055072		1	Volute	Kreiselkammer	Corps de pompe	G2" horizontal	VO	
12	11470026		1	Washer	Scheibe	Rondelle	A6.4 DIN9021	1.4401	
13	11200229		1	Hexagonal screw	Sechskantschraube	Vis hexagonal	M5x12 DIN933	1.4401	
15	11090004	A	1	Lip seal	Wellendichtung	Joint à levres	Ø15x35x8 DIN3760		
16	11030046		0.5	Oil	Öl	Huile			
17	11080078		1	Circlip	Sicherungsring	Circlip	Ø35x1.5 DIN472		
18	11110172		1	Mechanical seal	Gleitringdichtung	Garniture Mecanique	Ø15mm		
19	11200303		3	Hexagonal screw	Sechskantschraube	Vis hexagonal	M5x20 DIN933		
20	11400049		4	Hexagonal nut	Sechskantmutter	Ecrou hexagonal	M5 DIN985		
21	43025311		1	Cable EasyFit	Kabel EasyFit	Cable EasyFit	10m Non-KS (WP)	230/3/50	
21	43025309		1	Cable EasyFit	Kabel EasyFit	Cable EasyFit	10m KS (WP)	230/3/50	
21	43025307		1	Cable EasyFit	Kabel EasyFit	Cable EasyFit	3m KS (WP)	230/3/50	
21	43025312		1	Cable EasyFit	Kabel EasyFit	Cable EasyFit	10m Non-KS (WP)	400/3/50	
21	43025310		1	Cable EasyFit	Kabel EasyFit	Cable EasyFit	10m KS (WP)	400/3/50	
21	43025308		1	Cable EasyFit	Kabel EasyFit	Cable EasyFit	3m KS (WP)	400/3/50	
22	11400049		2	Hexagonal nut	Sechskantmutter	Ecrou hexagonal	M5 DIN985		
23	11470017		2	Washer	Scheibe	Rondelle	A5.3 DIN125		
24	11120518	A	1	O-ring	O-ring	Joint torique	Ø25x2.5 DIN3771		
25	13300340		1	Contacteur	Schutz	Relais	220-230/3/50		
25	13300347		1	Contacteur	Schutz	Relais	380-460/3/50		
26	11260040		2	Lens Head Screw	Flachkopfschraube	Vis à tête plate	M4x8 DIN85		
27	11650001	A	1	Locking Washer	Klemmscheibe	Rondelle-frein	M8 PVC/NITR		
28	11260100		1	Lens Head Screw	Flachkopfschraube	Vis à tête plate	M8x10 DIN85		
29	11120141	A	1	O-ring	O-ring	Joint torique	Ø7x3 DIN3771		
30	11250121		1	Cylinder screw	Zylinderschraube	Vis à tête cylindrique	M8x10 DIN84		
31	43075086		1	O-ring	O-ring	Joint torique			
32	12990022		1	Ball	Kugel	Bille	Ø10mm		
33	44125011		1	KS Rod	KS Haltestange	KS support flotteur			
34	11370064		1	Self-tapping screw	Zyl.Blechschrabe	Vis	Ø4.0x22 WN1441		

SPARE PARTS LIST/ERSATZTEILLISTE/LISTE DE PIÈCES DE RECHANGE

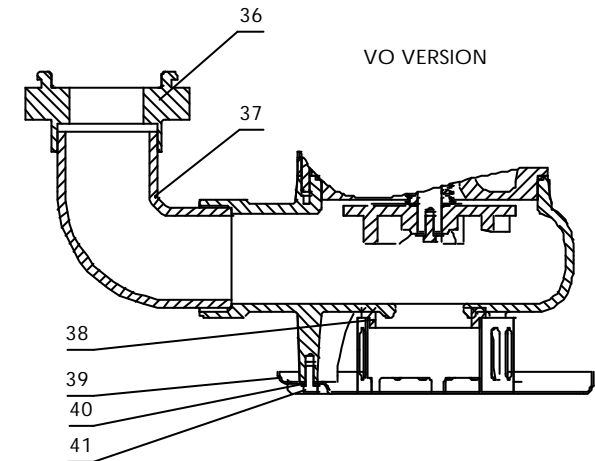
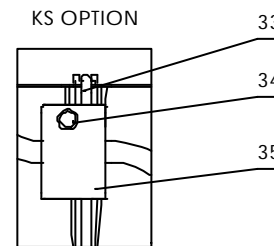
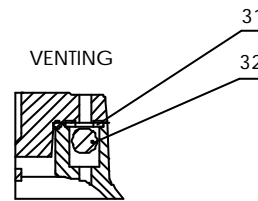
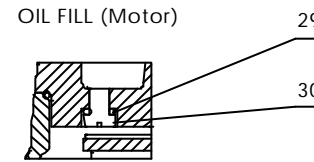
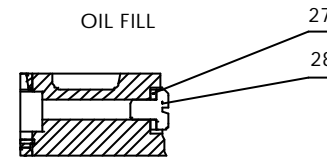
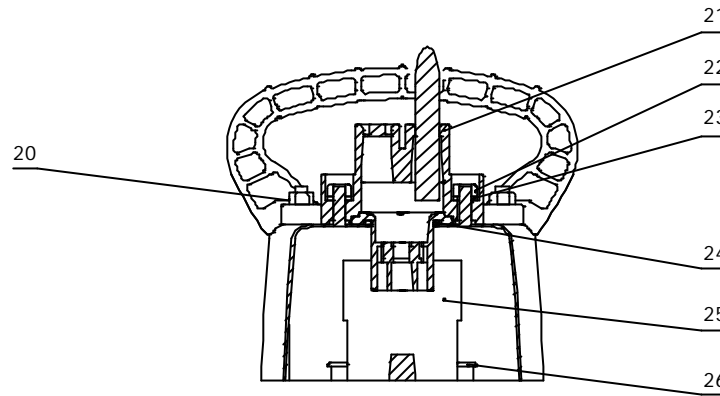
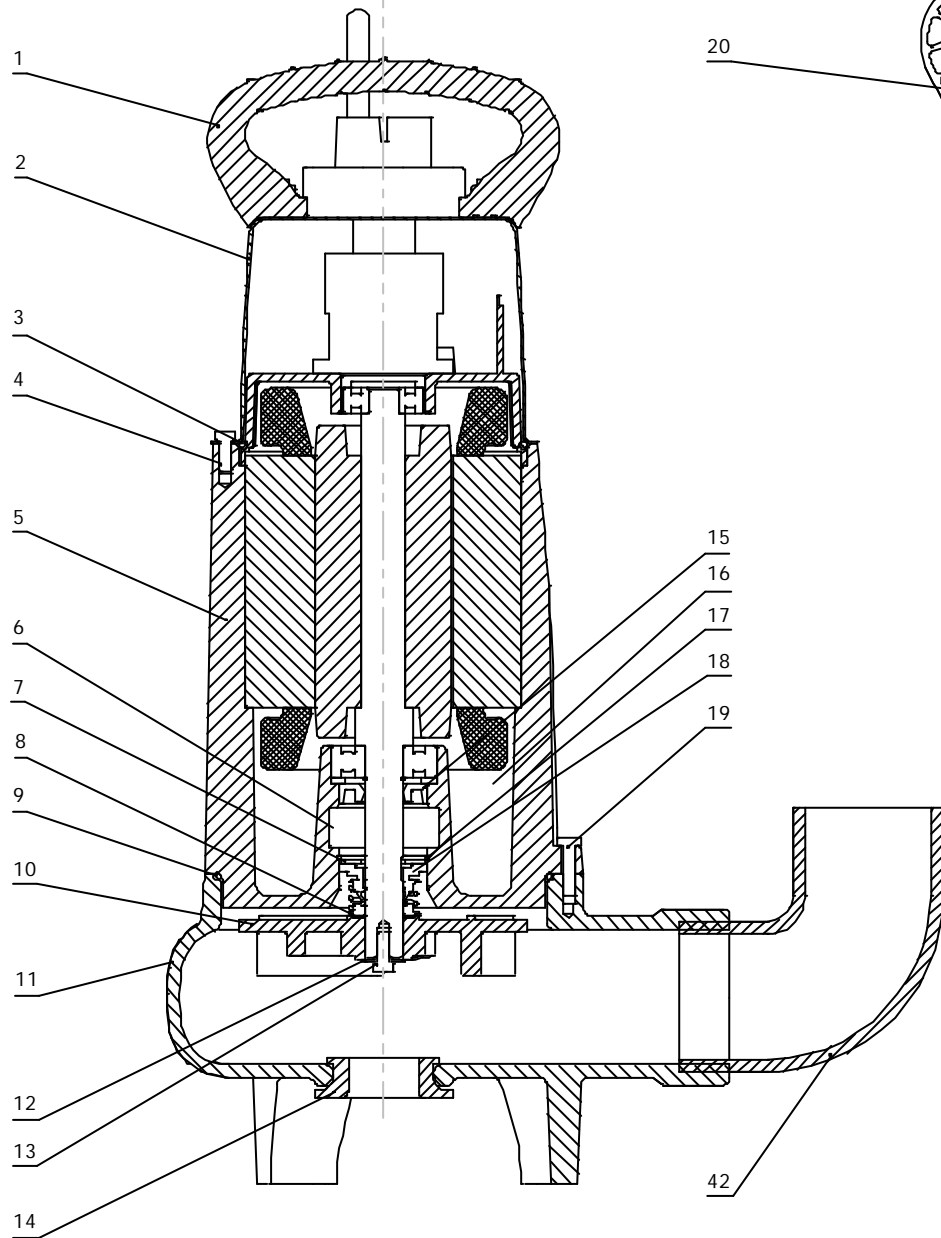
MF 804 D/KS 50Hz (2001)

(With Cast Iron Motor Housing)

Valid from Serial Number: 100 -

Page :
 Issue of : 10/02/2020
 Supersedes Issue :
 Issue No. : 3
 Drawing ref. Nr. : ANS13349-00

Pos. No.	Part No.	Kit	Qty	Description	Benennung	Designation	Dimensions /Din	Comments	Price
35	41420542		1	KS Bracket	KS Haltewinkel	KS butée flotteur			
36	15000009		1	Coupling	Kupplung	Accouplement	R2" Female	STORZ-C	
37	13720020		1	Elbow	Krümmer	Coude	R2" 90° Equal male	Galv short	
38	43075087		1	Seal	Dichtung	Joint			
39	41135003		1	Screen	Sieb	Grille de retenue			
40	11470017		3	Washer	Scheibe	Rondelle	A5.3 DIN125		
41	11200229		3	Hexagonal screw	Sechskantschraube	Vis hexagonal	M5x12 DIN933	1.4401	
	61195088	A	1	Seal kit	Dichtungssatz	Jeu de joint complet			



C	SPARE PARTS LIST/ERSATZTEILLISTE LIST DE PIÈCES DE RECHANGE	ANS13.349 -00
		DATE/NAME:/B McDonald
		CAD CODE:L/ANS13349
	MF 804D/SE 10D	Product Center: EM
		Technical changes reserved Änderungen vorbehalten Sous réserve de modification