

SPARE PARTS LIST/ERSATZTEILLISTE/LISTE DE PIÈCES DE RECHANGE

PIRANHA 08 D/KS 50Hz & W 60Hz
(With Cast Iron Motor Housing)

Page :
Issue of : 26/02/2020
Supersedes Issue : 07/12/01
Issue No. : 3
Drawing ref. Nr. : ANS13369-06

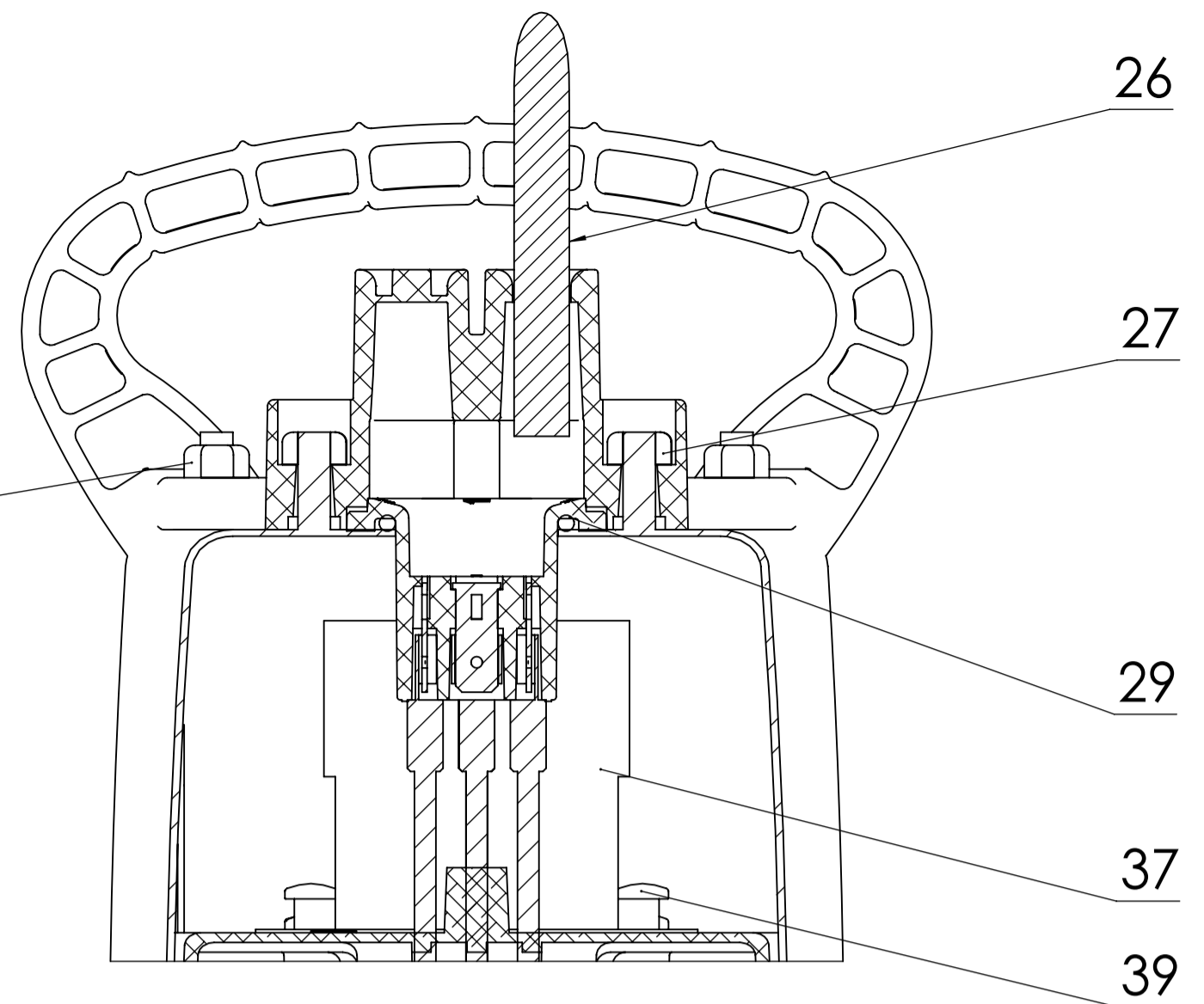
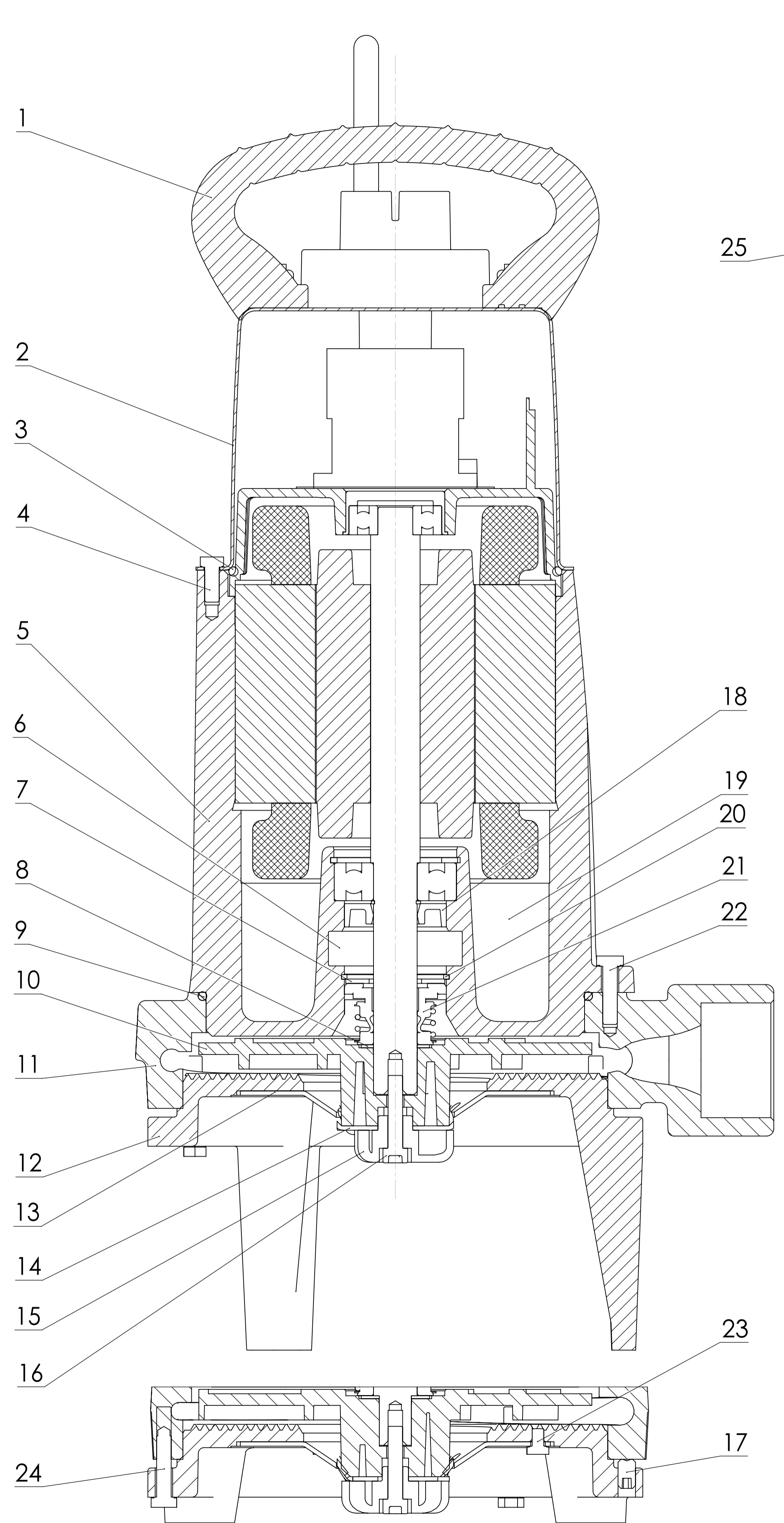
Pos. No.	Part No.	Kit	Qty	Description	Benennung	Designation	Dimensions /Din	Comments	Price
1	42005004		1	Handle	Handgriff	Poignee			
2	62675031		1	Upper lid	Obererdeckel	Couvercle supérieur		230/1/60V	
3	11120415	A	1	O-ring	O-ring	Joint torique	Ø110x3.5 DIN3771		
4	11200229		3	Hexagonal screw	Sechskantschraube	Vis hexagonal	M5x12 DIN933		
5	61275152		1	Motor	Motor	Moteur	230/3/50		
5	61275153		1	Motor	Motor	Moteur	400/3/50		
5	61275164		1	Motor	Motor	Moteur	230/3/60		
5	61275165		1	Motor	Motor	Moteur	380/3/60		
5	61275153		1	Motor	Motor	Moteur	460/3/60		
6	11030046		0.02	Oil	Öl	Huile			
7	42015009		1	Washer	Scheibe	Rondelle	Ø34x18x1.5		
8	42015023		1	Washer	Scheibe	Rondelle			
9	11121148	A	1	O-ring	O-ring	Joint torique	Ø125x2.5 NBR70 DIN3771		
10	41075049		1	Impeller	Lauftrad	Roue	Ø135/6 H5		
11	34055076		1	Volute	Kreiselmkammer	Corps de pompe	G1¼"	Use 31055096	
11	31055096		1	Volute	Kreiselmkammer	Corps de pompe	Flange oval + G1¼"	Synconta 601/801	
12	31065040		1	Bottom plate	Bodenplatte	Plaque de base			
12	31065068		1	Bottom plate	Bodenplatte	Plaque de base		Synconta 601/801	
13	42935009		1	Shredding ring	Zerkleinerungs ring	Bague dilacérateur			
14	42930015		1	Shredding rotor	Zerkleinerungs rotor	Rotor dilacérateur			
15	42935010		1	Grip ring	Spannring	Bague d'arret			
16	11210292		1	Cylinder screw	Zyl.Blechschrabe	Vis à tête plate	M5x25 DIN912		
17	11360040		3	Grub screw	Gewindestif	Goujon	M6x10 DIN916		
18	11090004	A	1	Lip seal	Wellendichtung	Joint à levres	Ø15x35x8 DIN3760		
19	11030046		0.5	Oil	Öl	Huile			
20	11080078		1	Circlip	Sicherungsring	Circlip	Ø35x1.5 DIN472		
21	11110172		1	Mechanical seal	Gleitringdichtung	Garniture Mecanique	Ø15mm	SIC/SIC	
22	11200303		3	Hexagonal screw	Sechskantschraube	Vis hexagonal	M5x20 DIN933		
23	11200282		3	Hexagonal screw	Sechskantschraube	Vis hexagonal	M4x10 DIN933		
24	11200303		3	Hexagonal screw	Sechskantschraube	Vis hexagonal	M5x20 DIN933		
25	11400049		4	Hexagonal nut	Sechskantmutter	Ecrou hexagonal	M5 DIN985		
26	43025311		1	Cable EasyFit	Kabel EasyFit	Cable EasyFit	10m Non-KS (WP)	230/3/50	
26	43025309		1	Cable EasyFit	Kabel EasyFit	Cable EasyFit	10m KS (WP)	230/3/50	
26	43025307		1	Cable EasyFit	Kabel EasyFit	Cable EasyFit	3m KS (WP)	230/3/50	
26	43025312		1	Cable EasyFit	Kabel EasyFit	Cable EasyFit	10m Non-KS (WP)	400/3/50	
26	43025310		1	Cable EasyFit	Kabel EasyFit	Cable EasyFit	10m KS (WP)	400/3/50	
26	43025308		1	Cable EasyFit	Kabel EasyFit	Cable EasyFit	3m KS (WP)	400/3/50	
26	43025358		1	Cable EasyFit	Kabel EasyFit	Cable EasyFit	10m Non-KS (WOP)	60Hz (D)	
27	11400049		2	Hexagonal nut	Sechskantmutter	Ecrou hexagonal	M5 DIN985		
29	11120518	A	1	O-ring	O-ring	Joint torique	Ø25x2.5 DIN3771		
30	13300340		1	Contactora	Schutz	Relais	220-230/3/50&60 Hz		
30	13300202		1	Contactora	Schutz	Relais	380-400/3/50&60 Hz		

SPARE PARTS LIST/ERSATZTEILLISTE/LISTE DE PIÈCES DE RECHANGE

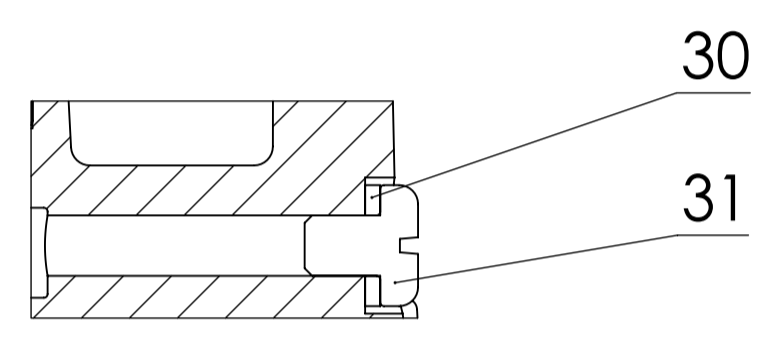
PIRANHA 08 D/KS 50Hz & W 60Hz
(With Cast Iron Motor Housing)

Page :
Issue of : 26/02/2020
Supersedes Issue : 07/12/01
Issue No. : 3
Drawing ref. Nr. : ANS13369-06

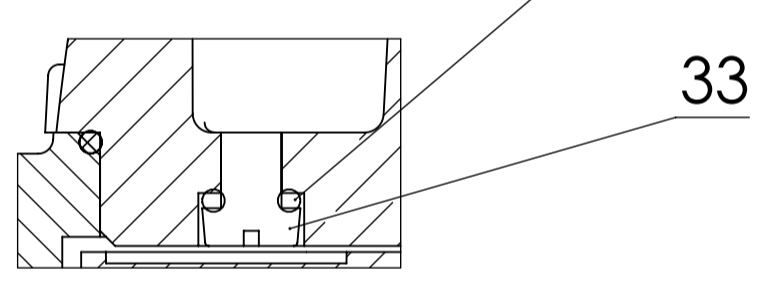
Pos. No.	Part No.	Kit	Qty	Description	Benennung	Designation	Dimensions /Din	Comments	Price
30	13300341		1	Contacteur	Schutz	Relais	440-480/3/50&60Hz		
31	11260040		2	Lens Head Screw	Flachkopfschraube	Vis à tête plate	M4x8 DIN85		
32	11650001	A	1	Locking Washer	Klemmscheibe	Rondelle-frein	M8 PVC/NITR		
33	11260100		1	Lens Head Screw	Flachkopfschraube	Vis à tête plate	M8x10 DIN85		
34	11120141	A	1	O-ring	O-ring	Joint torique	Ø7x3 DIN3771		
35	11250121		1	Cylinder screw	Zylinderschraube	Vis à tête cylindrique	M8x10 DIN84		
36	44125010		1	KS Rod	KS Haltestange	KS support flotteur			
37	11370064		1	Self-tapping screw	Zyl.Blechschaube	Vis	Ø4.0x22 WN1441		
38	41420542		1	KS Bracket	KS Haltewinkel	KS butée flotteur			
	61195088	A	1	Seal kit	Dichtungssatz	Jeu de joint complet			



OIL FILL (Mech. Seal)



OIL FILL (Motor)



KS OPTION

